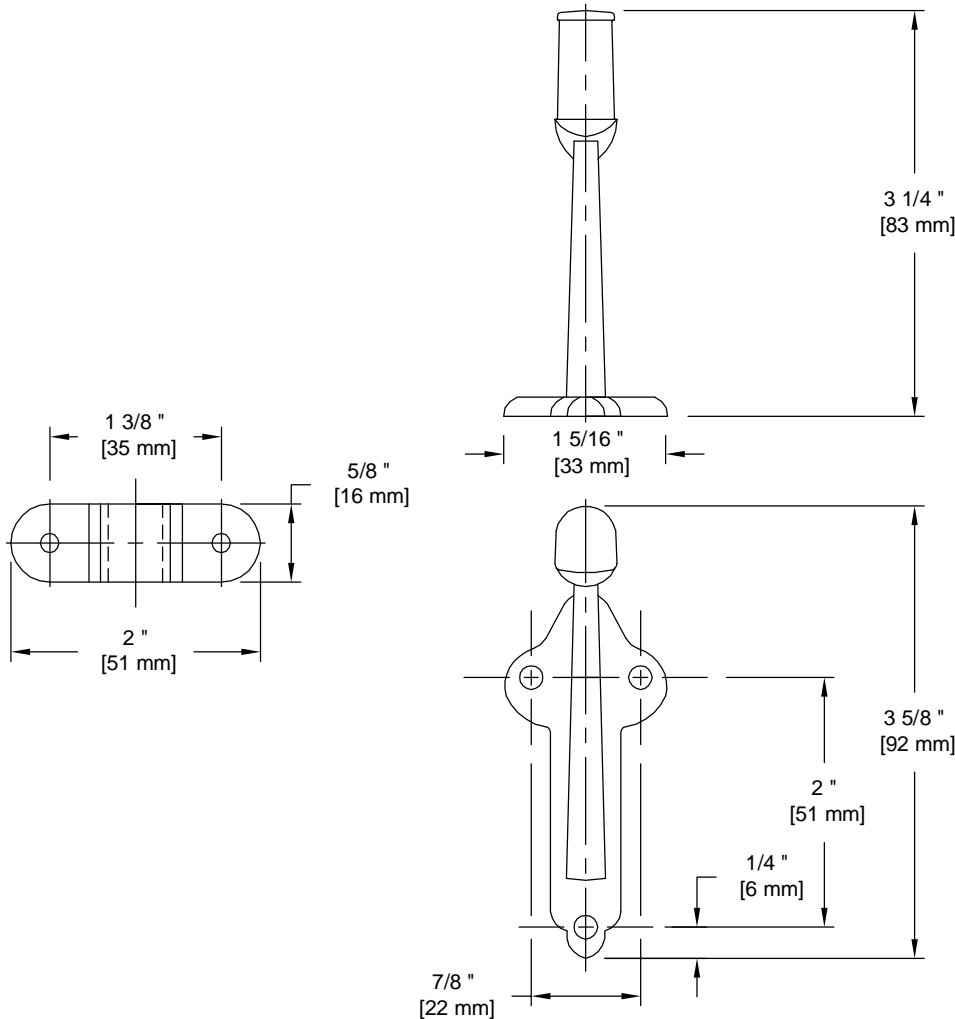


PRODUCT DATA SHEET

Product Description: Heavy duty handrail bracket. Fabricated from zinc with a US10B oil rubbed bronze finish. Ships with mounting hardware.



Overall Size: 1 5/16" W X 3 5/8" H X 3 1/4" D

Material: Zinc

Finish: US10B Oil Rubbed Bronze

Cross Reference

Manufacturer	Part Number



Description:

**Handrail Bracket, Zinc,
Heavy Duty**

Part Number:

36626

Date

06/16

Rev.

04

Sheet 1 of 1