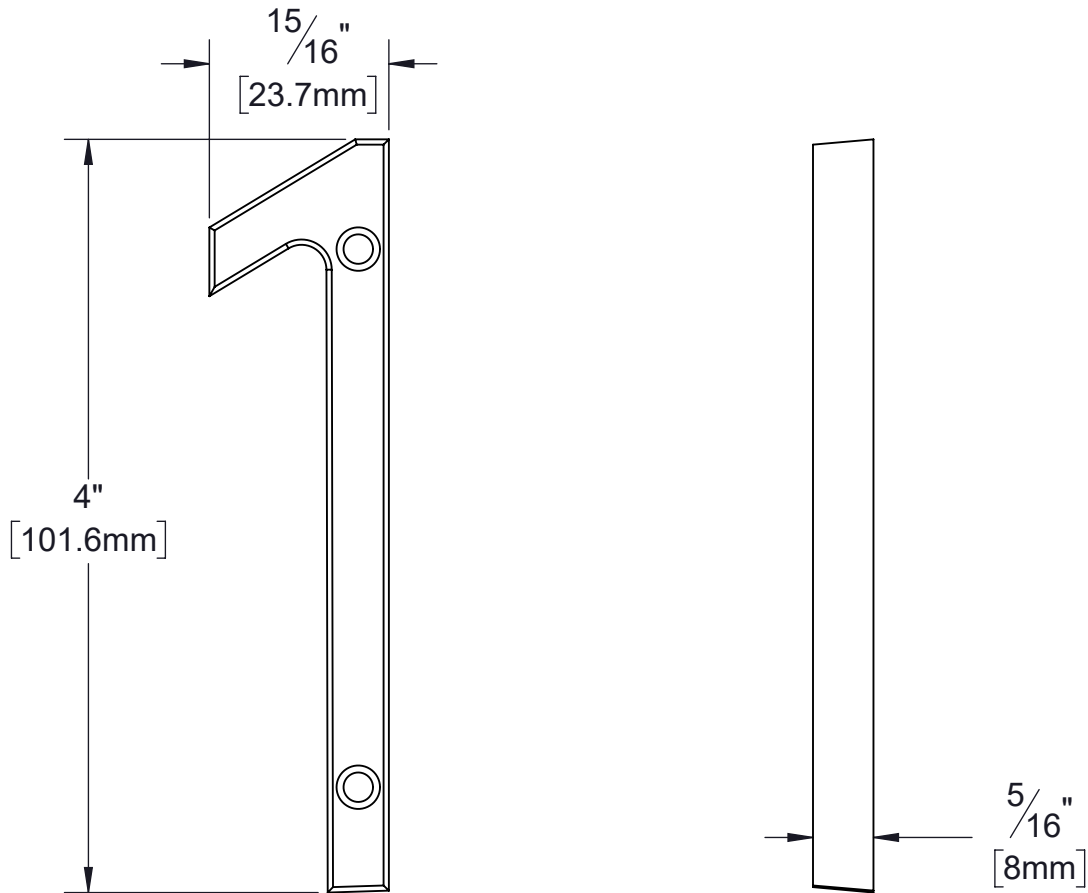


PRODUCT DATA SHEET

Product Description: Contemporary house number 1. Fabricated from die cast zinc in a US19 matte black finish. 4" high and 15/16" wide with 5/16" projection. Ships with mounting hardware.



Overall Size: 4" H X 15/16" W X 5/16" D

Material: Die Cast Zinc

Finish: US19 Matte Black

Cross Reference

Manufacturer	Part Number



Description:

**4 In. Contemporary House
Number 1, Zinc**

Part Number:

36501

Date

05/23

Rev.

00