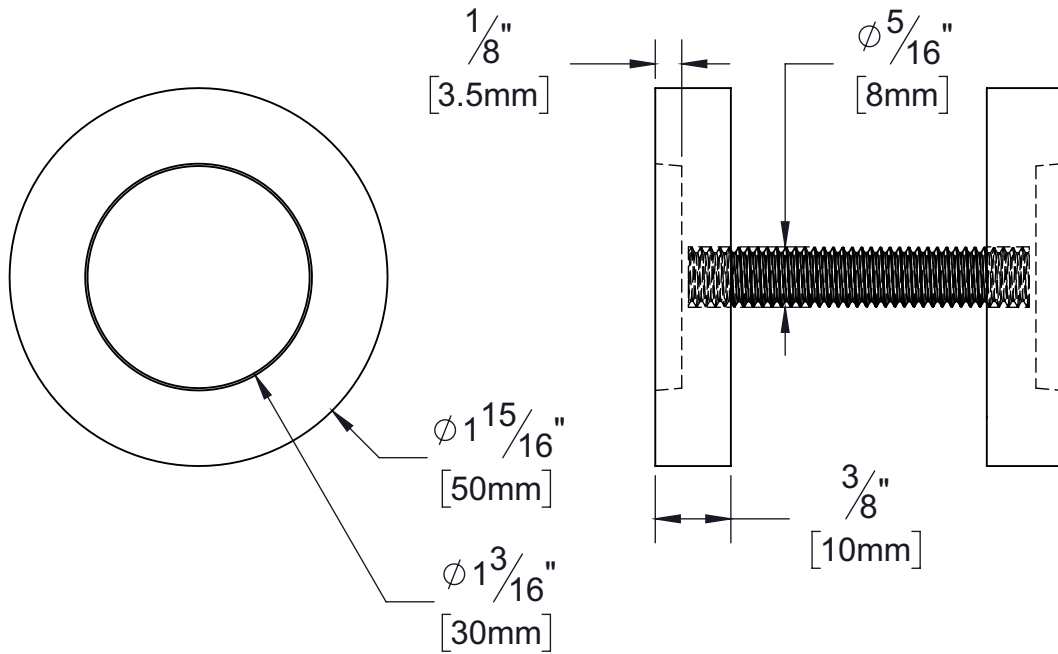


# PRODUCT DATA SHEET

**Product Description:** Barn door round pull, 1 15/16" diameter. Fabricated from carbon steel with a US19 matte black finish. Fits 1 3/8" to 1 3/4" standard doors. Drill hole for threaded connecting rod with 3/8" drill bit. All mounting hardware included.



**Overall Size:** 1 15/16" W X 1 15/16" H X 2 1/2" D

**Material:** Steel

**Finish:** US19 Matt Black

### Cross Reference

Manufacturer	Part Number



Description:

**Barn Door Round Pull,  
1 15/16 In. Diameter**

Part Number:

**36316**

Date

Rev.