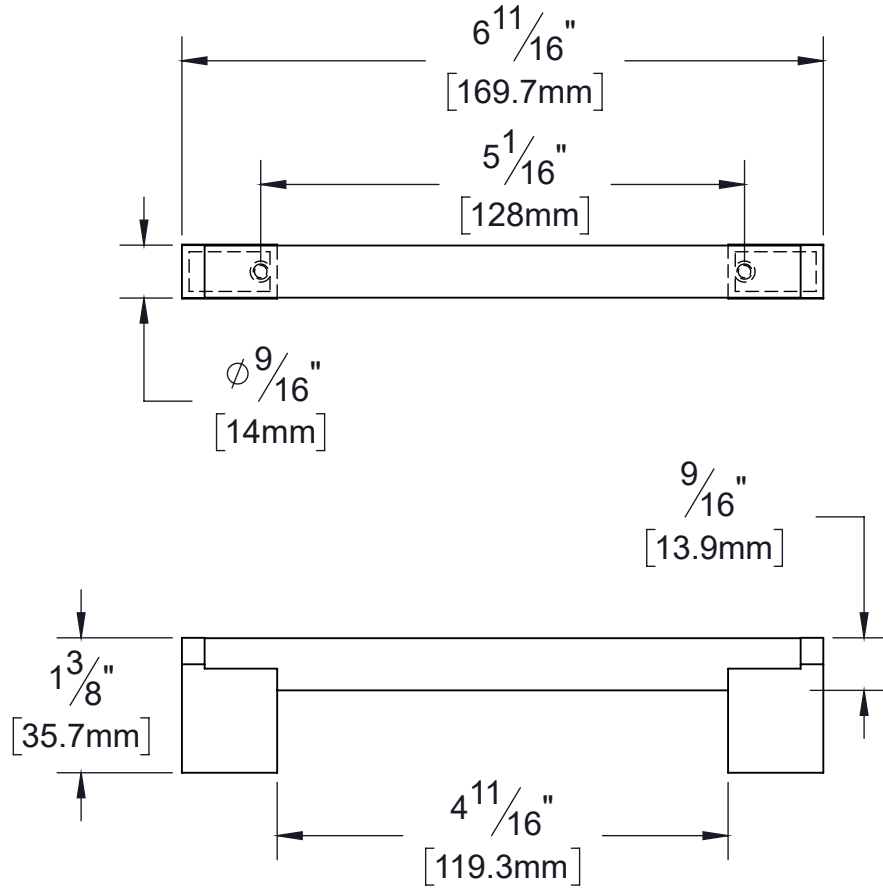


PRODUCT DATA SHEET

Product Description: Decorative handle pull perfect for kitchen or bath cabinets. 5 1/16" center to center. Fabricated from zinc and steel with a US11P venetian bronze finish. Individually packaged with mounting screws. Individually packaged with 1" length and 1 3/8" length (M4x0.7) mounting screws.



Overall Size: 6 11/16" W X 9/16" H X 1 3/8" D	
Material: Zinc and Steel	
Finish: US11P Venetian Bronze	
Cross Reference	
Manufacturer	Part Number



Description: Handle Pull, Zinc And Steel, 5 1/16" Center To Center		
Part Number: 36296	Date: 09/20	Rev.: 01
Sheet 1 of 1		