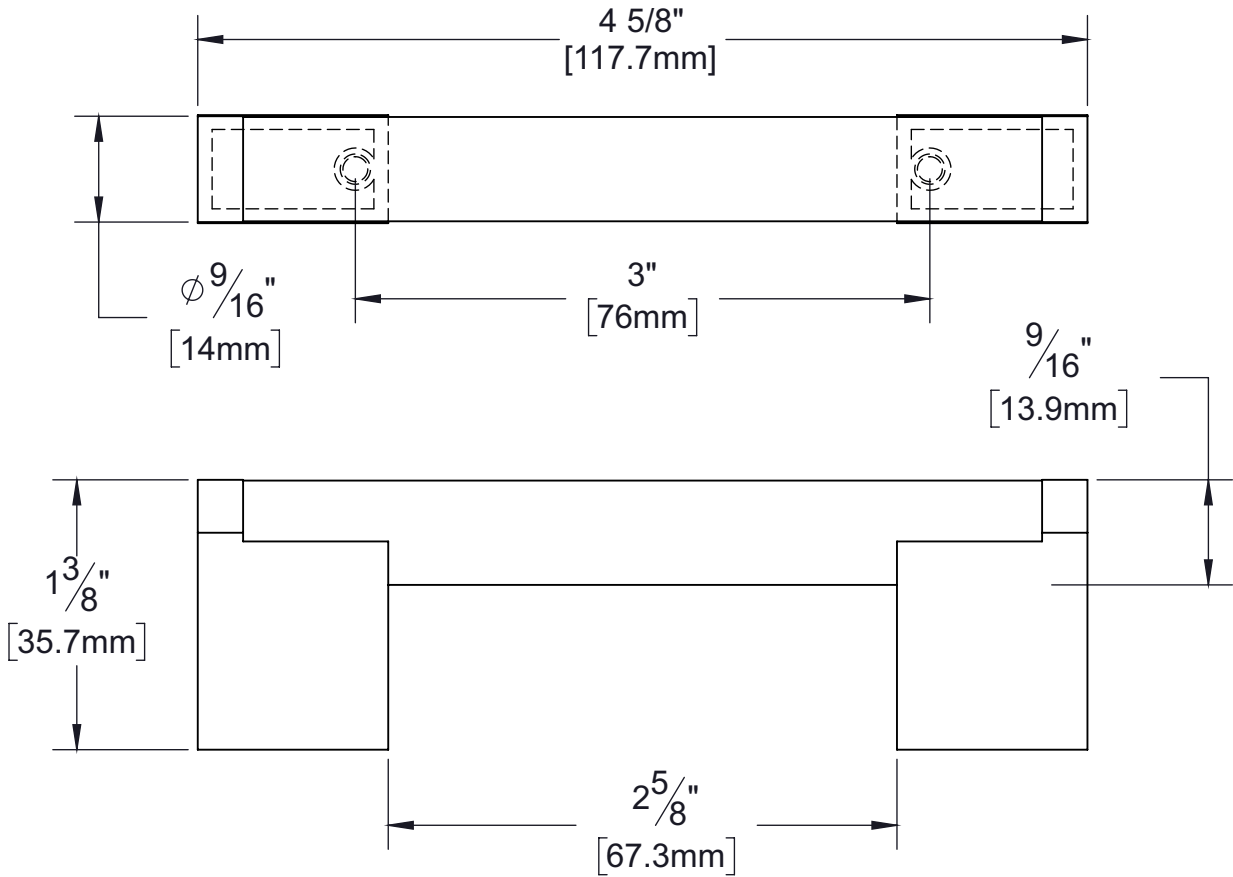


PRODUCT DATA SHEET

Product Description: Decorative handle pull perfect for kitchen or bath cabinets. 3" center to center. Fabricated from zinc and steel with a US15 satin nickel finish. Individually packaged with mounting screws. Individually packaged with 1" length and 1 3/8" length (M4x0.7) mounting screws.



Overall Size: 4 5/8" W X 9/16" H X 1 3/8" D

Material: Zinc and Steel

Finish: US15 Satin Nickel

Cross Reference

Manufacturer	Part Number



Description:

**Handle Pull,
Zinc And Steel,
3" Center To Center**

Part Number:

36291

Date

11/17

Rev.

00