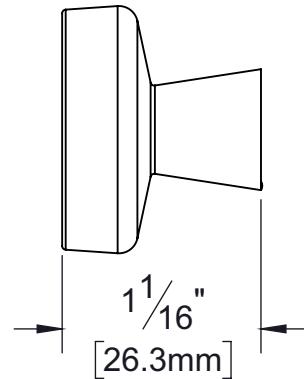
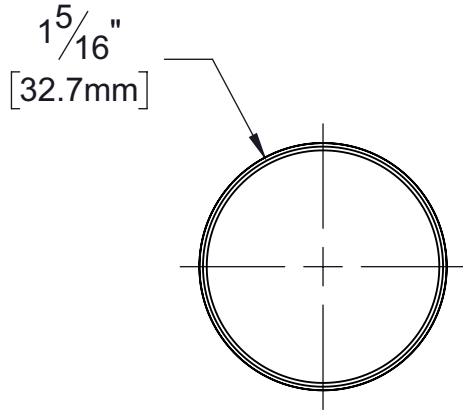


PRODUCT DATA SHEET

Product Description: Decorative knob perfect for kitchen or bath cabinets. 1 5/16" diameter x 1 1/32" projection. Fabricated from die cast zinc with a US15 satin nickel finish. Individually packaged with 1" length and 1 3/8" length (M4x0.7) mounting screws.



Overall Size: 1 5/16" W X 1 5/16" H X 1 1/16" D

Material: Zinc

Finish: US15 Satin Nickel

Cross Reference

Manufacturer	Part Number



Description:
**Knob, Contemporary
 Round, Zinc, 1 5/16"
 Dia X 1 1/16" Projection**

Part Number: 36270	Date 10/17	Rev. 00
Sheet 1 of 1		