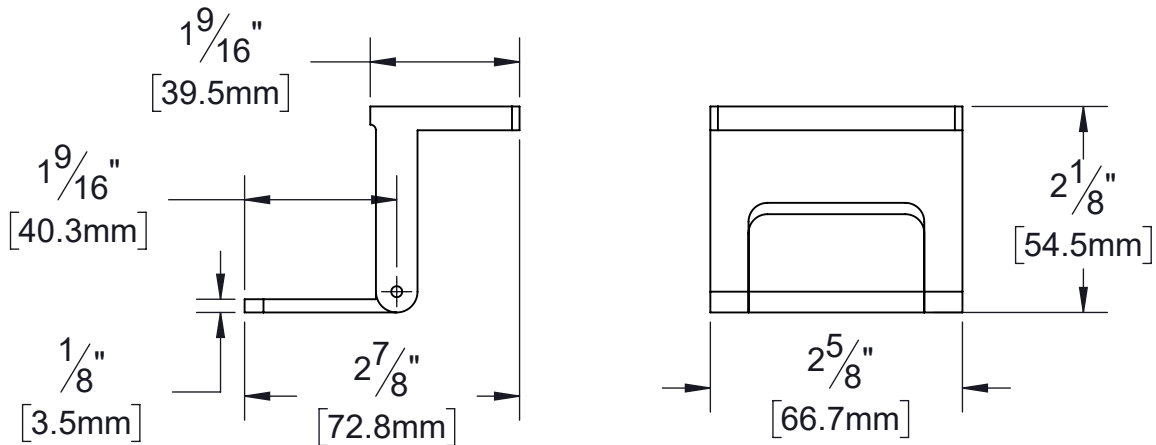


# PRODUCT DATA SHEET

**Product Description:** Heavy duty security door guard, designed for installation on both wood and metal frame doors of hospitality, dormitory and multi-family commercial applications. Fabricated from zinc die cast with US26D satin chrome finish. Allows doors to be partially opened by the residents for identification while providing privacy and security. ADA compliant. 2" wood screws and 1 1/4" self-tapping screws included.



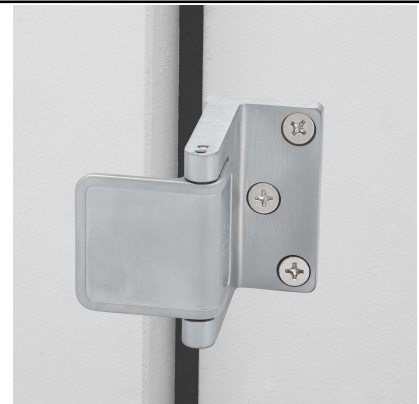
**Overall Size:** 2 7/8" W X 2 5/8" H X 2 1/8" D

**Material:** Zinc

**Finish:** US26D Satin Chrome

**Cross Reference**

Manufacturer	Part Number



Description:

## Security Door Guard, Commercial

Part Number:	Date	Rev.
<b>33165</b>	01/20	00
Sheet 1 of 1		