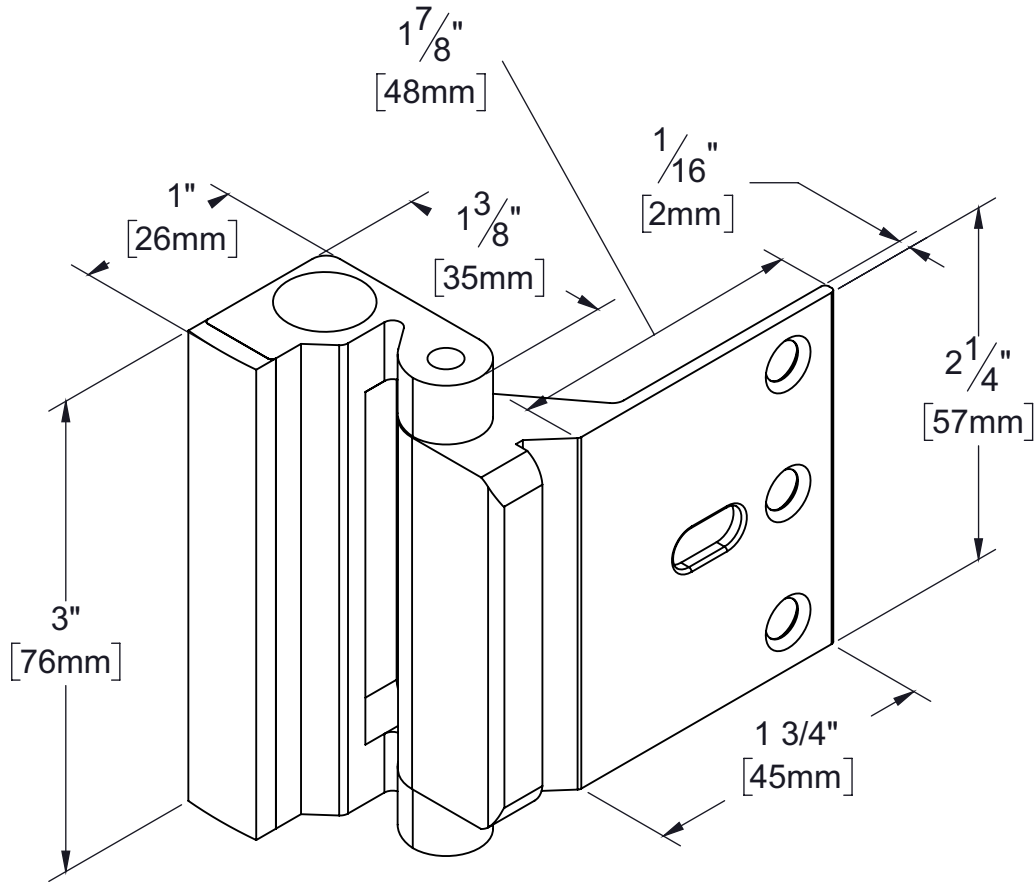


PRODUCT DATA SHEET

Product Description: Heavy duty security door guard. Add additional security to any door in your home. Fabricated from extruded aluminum with a US15 satin nickel finish. Ships with mounting hardware.



Overall Size: 3 3/8" W X 3" H X 1" D

Material: Extruded Aluminum

Finish: US15 Satin Nickel

Cross Reference

| Manufacturer | Part Number |
|--------------|-------------|
| | |
| | |
| | |



Description: **Security Door Guard,
Heavy Duty,
Extruded Aluminum**

Part Number: **33160**

| | |
|---------------|------------|
| Date 09/17 | Rev. 00 |
|---------------|------------|