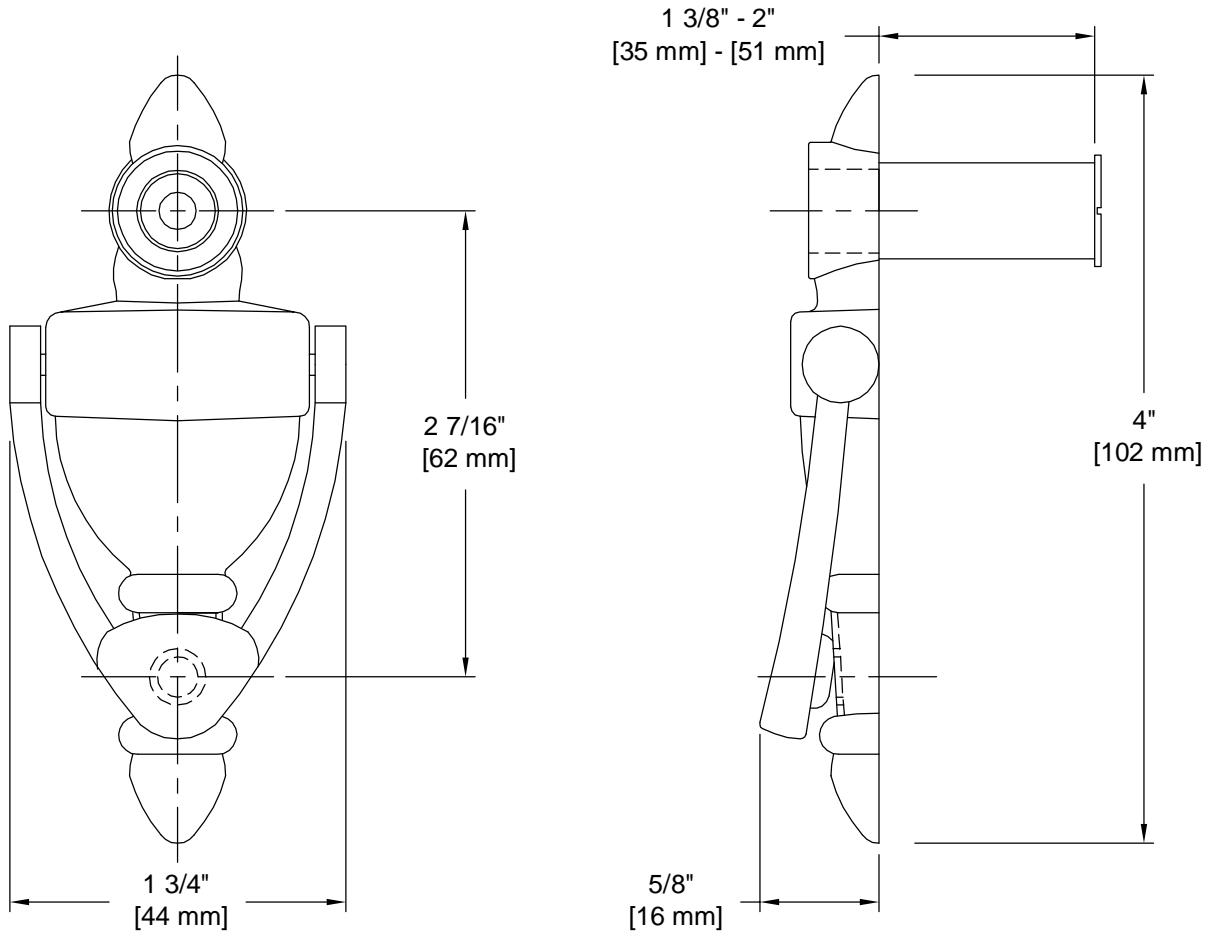


# PRODUCT DATA SHEET

**Product Description:** Door knocker with viewer, 160 degrees, 4". For 1 1/4 - 1 3/4" thick door. Fabricated from zinc with a US15 satin nickel finish. Viewing lens fabricated from plastic. Mounting hardware: One 7/8" length screw included.



**Overall Size:** 1 3/4" W X 4" H X 5/8" D

**Material:** Zinc

**Finish:** US15 Satin Nickel

### Cross Reference

Manufacturer	Part Number



Description:

**Door Knocker With  
Viewer, 160, 4"**

Part Number:

32424

Date

06/16

Rev.

04

Sheet 1 of 1