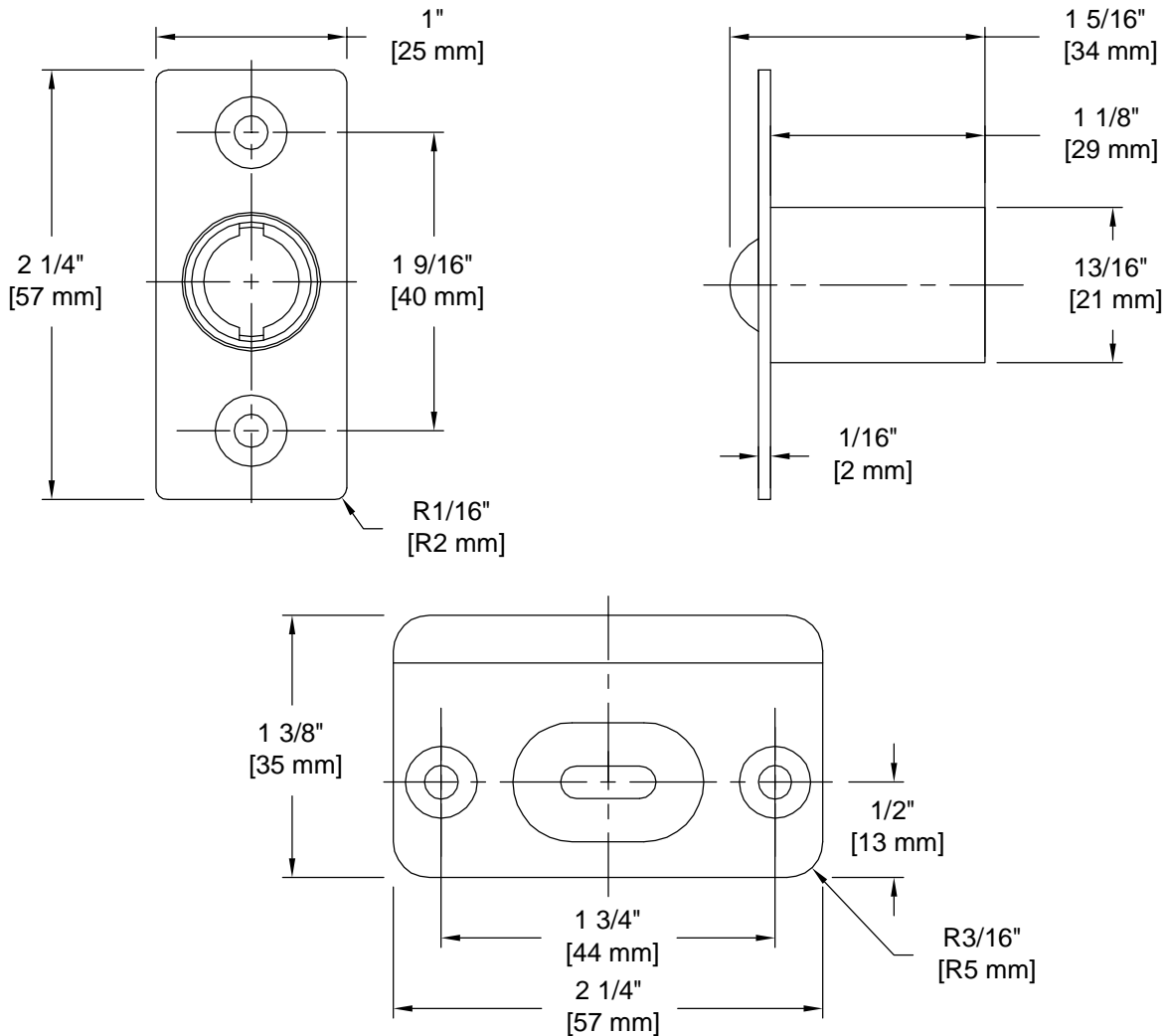


# PRODUCT DATA SHEET

**Product Description:** Ball catch, mortise, radius, 2 1/4". Fabricated from steel with a US10B oil rubbed bronze finish. Mounting hardware: Four 3/4" length screws included.



**Overall Size:** 1" W X 2 1/4" H X 1 5/16" D

**Material:** Steel

**Finish:** US10B Oil Rubbed Bronze

### Cross Reference

Manufacturer	Part Number



Description:

**Ball Catch, Mortise  
Radius, 2 1/4"**

Part Number:

31244

Date

06/16

Rev.

05