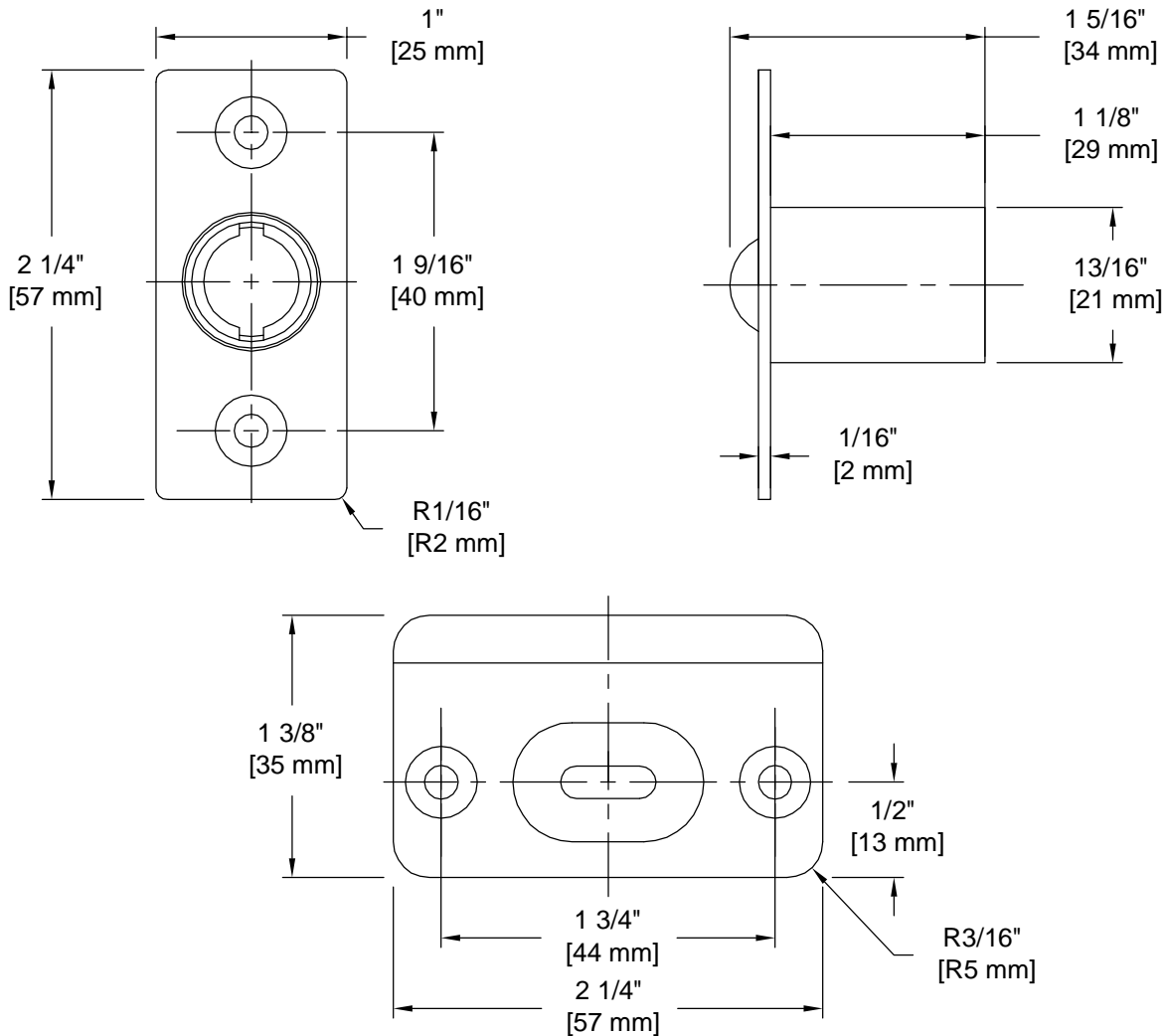


PRODUCT DATA SHEET

Product Description: Ball catch, mortise, radius, 2 1/4". Fabricated from steel with a US26 bright chrome finish. Mounting hardware: Four 3/4" length screws included.



Overall Size: 1" W X 2 1/4" H X 1 5/16" D

Material: Steel

Finish: US26 Bright Chrome

Cross Reference

Manufacturer	Part Number



Description:

**Ball Catch, Mortise
Radius, 2 1/4"**

Part Number:

31242

Date

06/16

Rev.

05