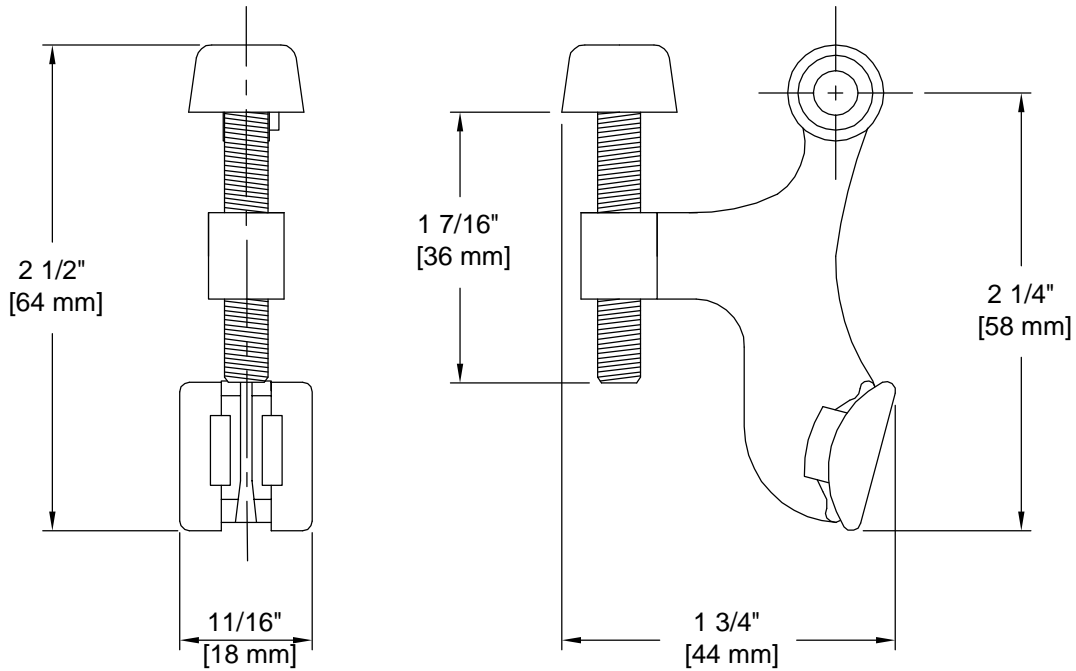


PRODUCT DATA SHEET

Product Description: Door stop hinge pin, type 2. Fabricated from zinc with a US26 bright chrome finish.



Overall Size: $\frac{11}{16}$ " W X $2 \frac{1}{2}$ " H X $1 \frac{3}{4}$ " D

Material: Zinc

Finish: US26 Bright Chrome

Cross Reference

Manufacturer	Part Number



Description:

Hinge Pin Door Stop, Type 2

Part Number:

30678

Date

06/16

Rev.

02

Sheet 1 of 1