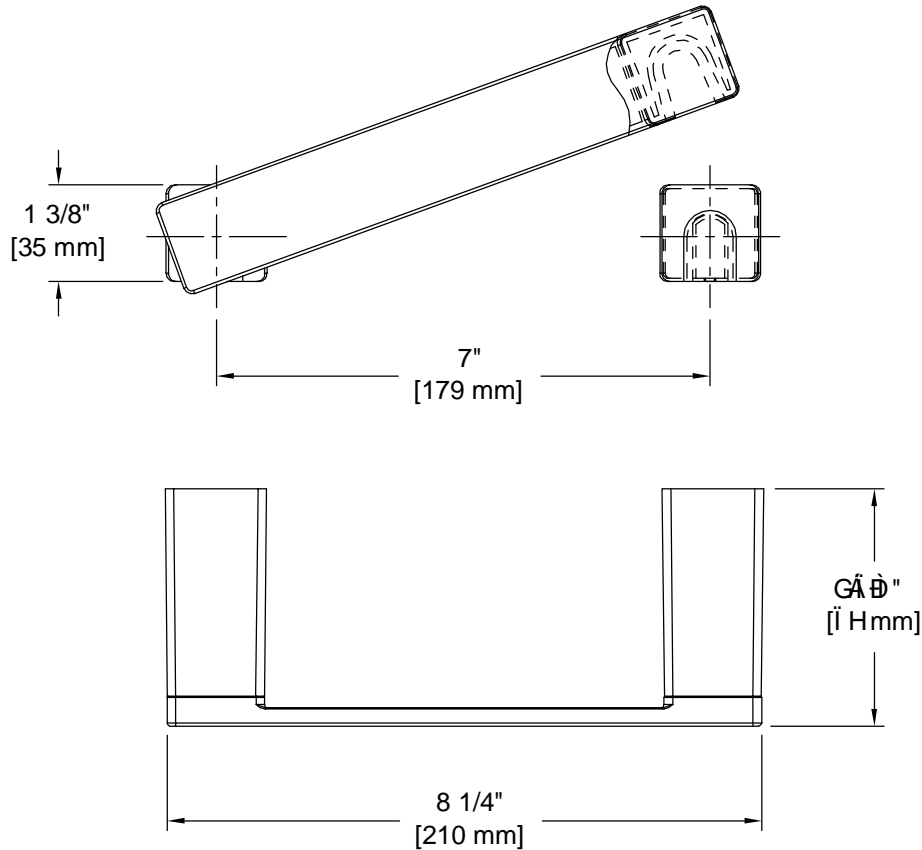


PRODUCT DATA SHEET

Product Description: Surface toilet tissue holder with pivoting bar, Westshore. Posts and bar are fabricated from die cast zinc with a US26 bright chrome finish. Ships with mounting hardware.



WITH MOUNTING
HARDWARE

Overall Size: 8 1/4" W X 1 3/8" H X 2 7/8" D

Material: Zinc Posts and Bar

Finish: US26 Bright Chrome

Cross Reference

Manufacturer	Part Number



Description:

**Toilet Tissue Holder,
Surface, Westshore**

Part Number:

23056

Date

06/16

Rev.

02

Sheet 1 of 1