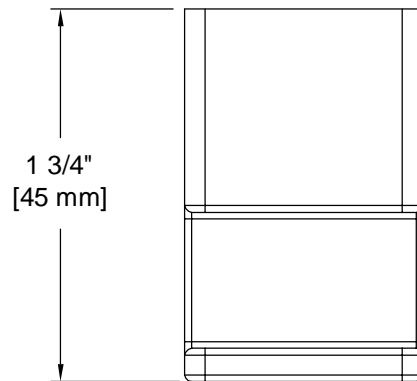
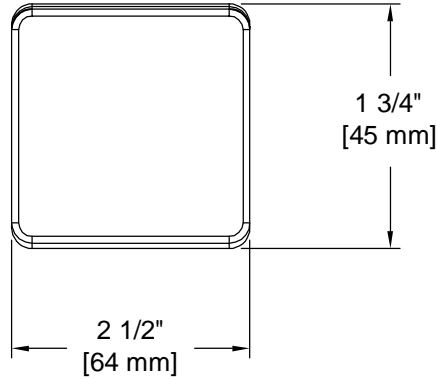


PRODUCT DATA SHEET

Product Description: Robe hook, Westshore. Fabricated from die cast zinc with a US15 satin nickel finish. Ships with mounting hardware.



WITH MOUNTING
HARDWARE

Overall Size: 2 1/2" W X 1 3/4" H X 1 3/4" D

Material: Zinc

Finish: US15 Satin Nickel

Cross Reference

Manufacturer	Part Number



Description:

**Robe Hook,
Westshore**

Part Number:

23050

Date

06/16

Rev.

02

Sheet 1 of 1