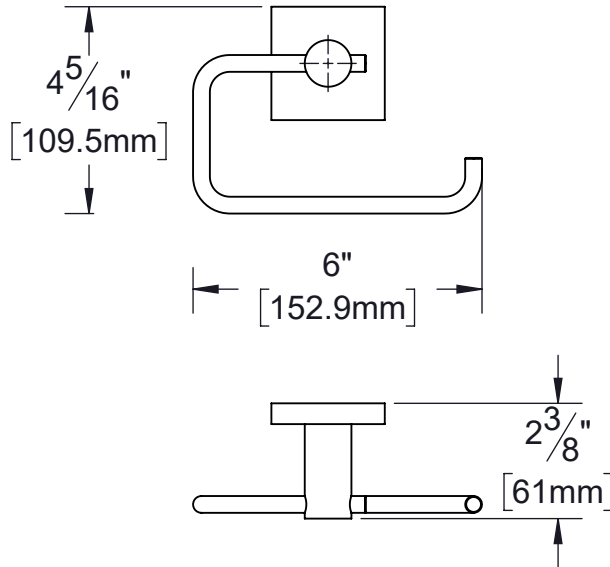


PRODUCT DATA SHEET

Product Description: Towel ring, Daytona. Post is fabricated from die cast zinc with a US11P venetian bronze finish. Ring is fabricated from steel with a US11P venetian bronze. Ships with mounting hardware.



Overall Size: 6" W X 4 5/16" H X 2 3/8" D

Material: Zinc Post, Steel Ring

Finish: US11P Venetian Bronze

Cross Reference

Manufacturer	Part Number



Description:

Towel Ring, Daytona

Part Number:

15834

Date

02/19

Rev.

00