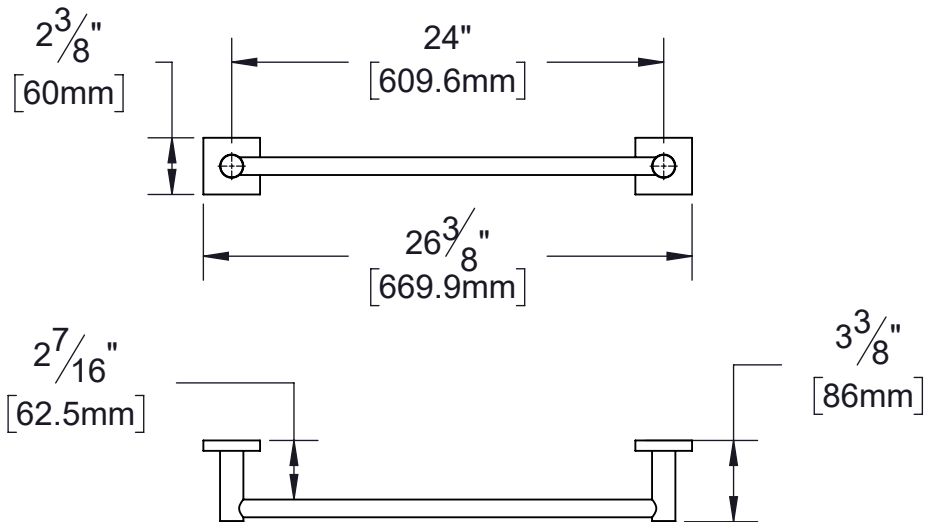


PRODUCT DATA SHEET

Product Description: Towel bar set, 24", Daytona. Posts are fabricated from die cast zinc with a US15 satin nickel finish. Bar is fabricated from stainless steel with a US15 satin nickel finish. Ships with mounting hardware.



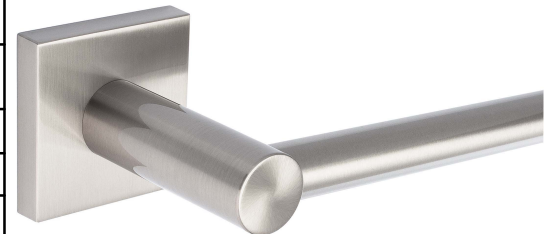
Overall Size: 26 3/8" W X 2 3/8" H X 3 3/8" D

Material: Zinc Posts, Stainless Steel Bar

Finish: US15 Satin Nickel

Cross Reference

Manufacturer	Part Number



Description:

**Towel Bar Set,
24", Daytona**

Part Number:

15823

Date

02/19

Rev.

00

Sheet 1 of 1