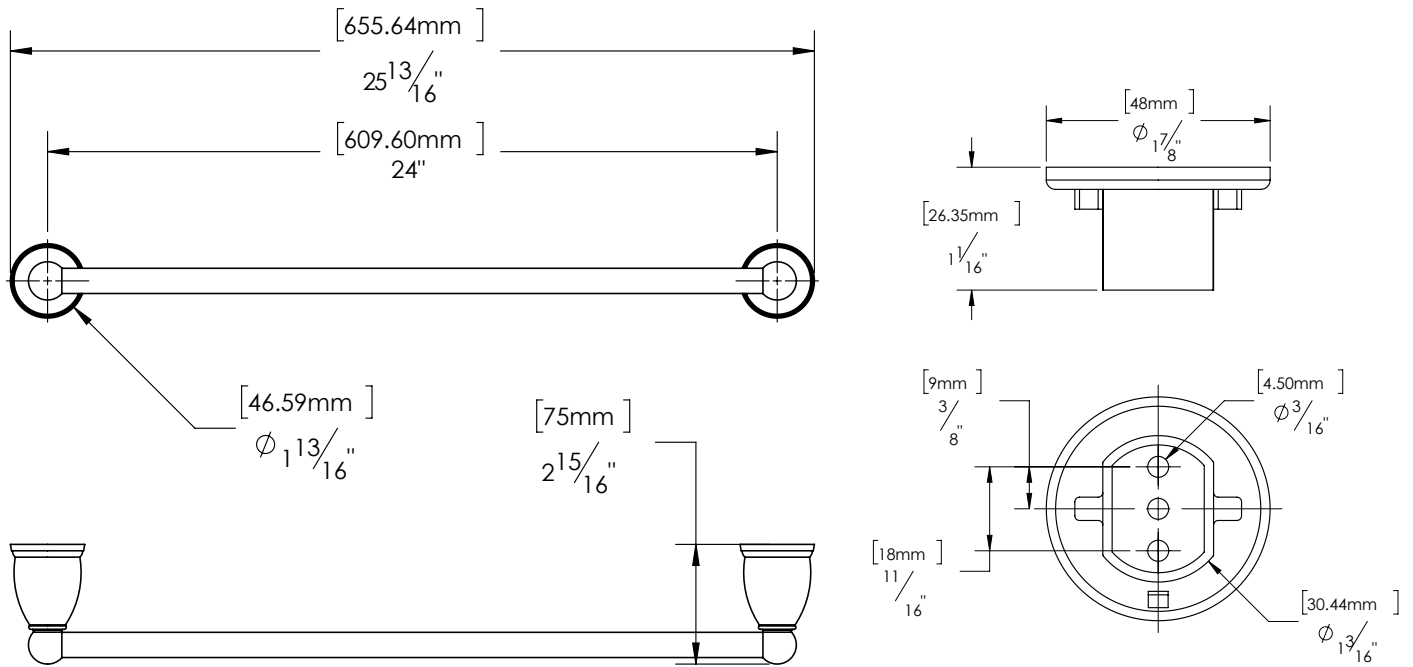


# PRODUCT DATA SHEET

**Product Description:** Towel bar set, 24", Austin. Posts are fabricated from die cast zinc with a US15 satin nickel finish. Bar is fabricated from stainless steel with a US26 bright chrome finish. Comes with fast-fit mounting brackets for quicker installation. Ships with mounting hardware.



**Overall Size:** 25 13/16" W X 1 13/16" H X 2 15/16" D

**Material:** Zinc Posts, Stainless Steel Bar

**Finish:** US26 Bright Chrome

### Cross Reference

Manufacturer	Part Number



Description:

**Towel Bar Set, 24",  
Austin**

Part Number:

**15818**

Date

03/19

Rev.

00

Sheet 1 of 1