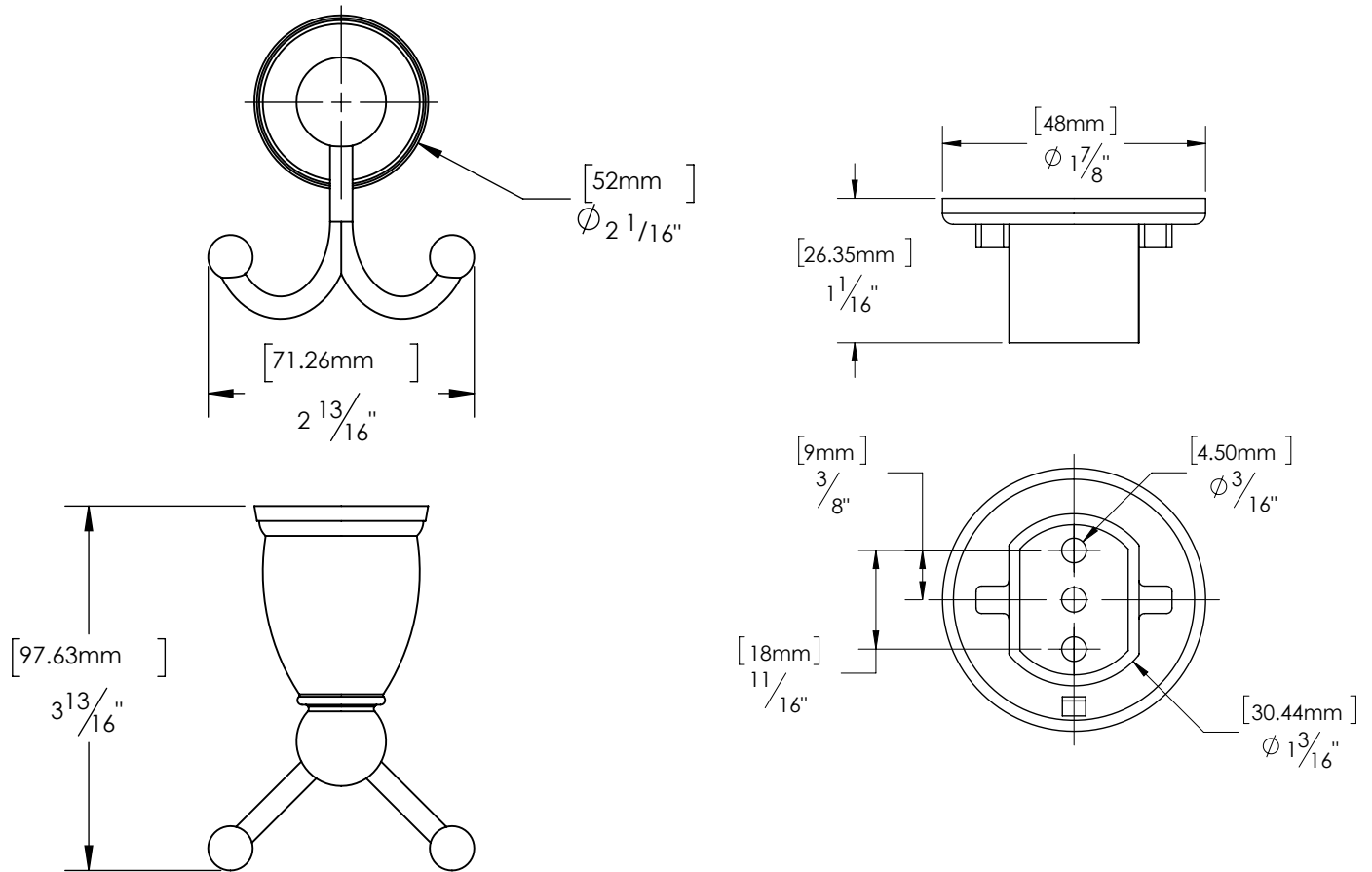


PRODUCT DATA SHEET

Product Description: Robe hook, Austin. Fabricated from die cast zinc with a US26 bright chrome finish. Comes with fast-fit mounting bracket for quicker installation. Ships with mounting hardware.



Overall Size: 2 13/16" W X 2 1/16" H X 3 13/16" D

Material: Zinc

Finish: US26 Bright Chrome

Cross Reference

Manufacturer	Part Number



Description:

**Robe Hook,
Austin**

Part Number:

15815

Date

03/19

Rev.

00

Sheet 1 of 1