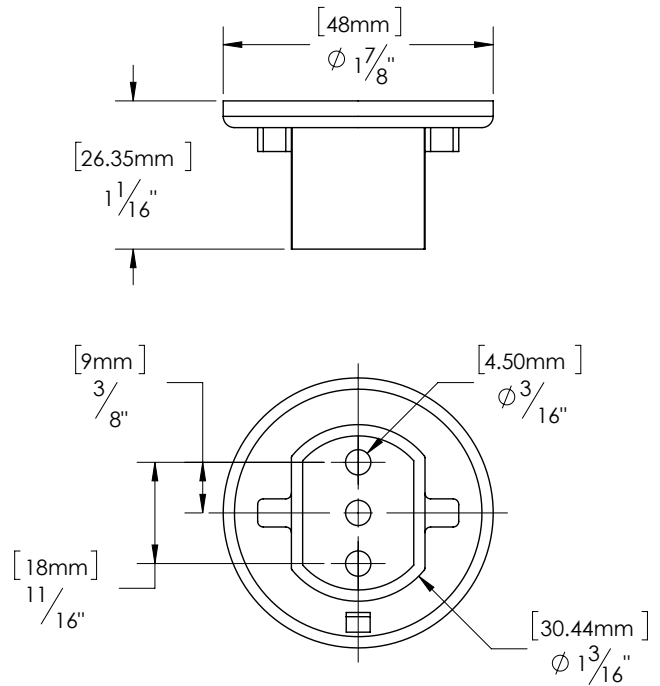
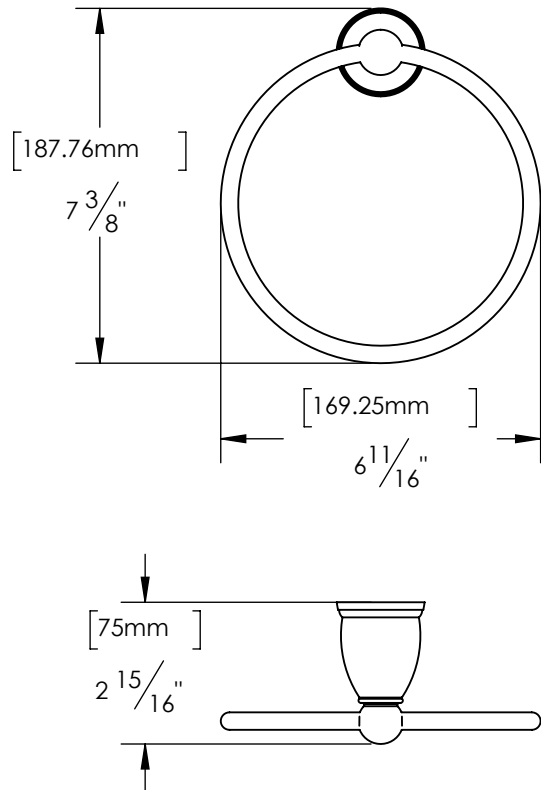


PRODUCT DATA SHEET

Product Description: Towel ring, Austin. Post is fabricated from die cast zinc with a US15 satin nickel finish. Ring is fabricated from stainless steel with a US15 satin nickel finish. Comes with fast-fit mounting bracket for quicker installation. Ships with mounting hardware.



Overall Size: 6 11/16" W X 7 3/8" H X 2 15/16" D

Material: Zinc Post, Stainless Steel Ring

Finish: US15 Satin Nickel

Cross Reference

Manufacturer	Part Number



Description:

Towel Ring, Austin

Part Number:

15804

Date

03/19

Rev.

00

Sheet 1 of 1