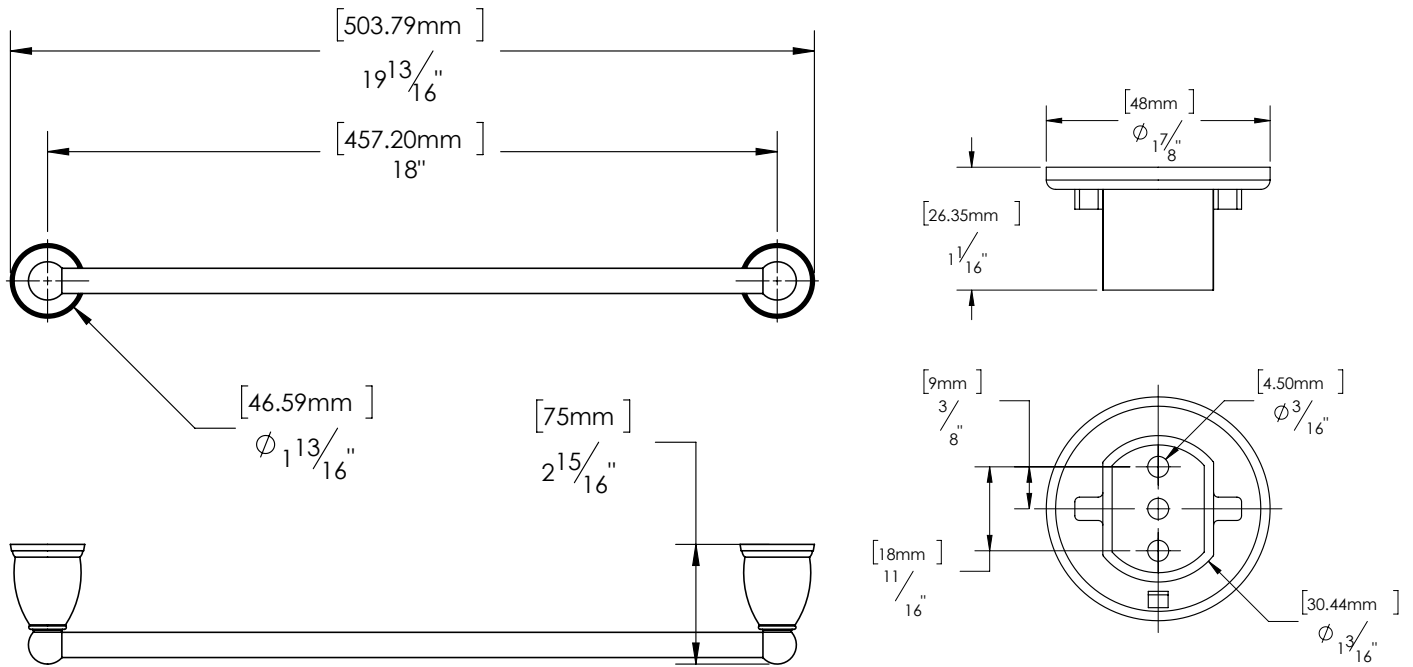


PRODUCT DATA SHEET

Product Description: Towel bar set, 18", Austin. Posts are fabricated from die cast zinc with a US15 satin nickel finish. Bar is fabricated from stainless steel with a US15 satin nickel finish. Comes with fast-fit mounting brackets for quicker installation. Ships with mounting hardware.



Overall Size: 19 13/16" W X 1 13/16" H X 2 15/16" D

Material: Zinc Posts, Stainless Steel Bar

Finish: US15 Satin Nickel

Cross Reference

Manufacturer	Part Number



Description:

**Towel Bar Set, 18",
Austin**

Part Number:

15802

Date

03/19

Rev.

00

Sheet 1 of 1