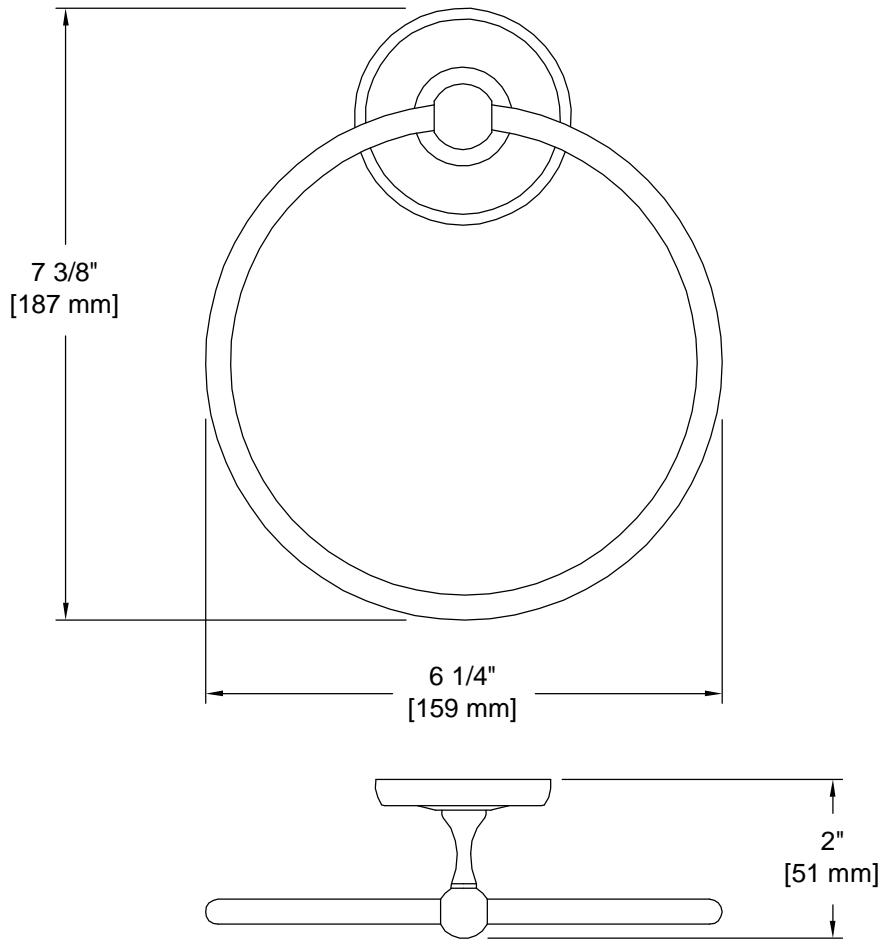


# PRODUCT DATA SHEET

**Product Description:** Towel ring, Portsmouth. Post is fabricated from die cast zinc with a US15 satin nickel finish. Ring is fabricated from stainless steel with a US15 satin nickel finish. Ships with mounting hardware.



**Overall Size:** 6 1/4" W X 7 3/8" H X 2" D

**Material:** Zinc Post, Stainless Steel Ring

**Finish:** US15 Satin Nickel

**Cross Reference**

Manufacturer	Part Number



Description:

**Towel Ring,  
Portsmouth**

Part Number:

15019

Date

08/16

Rev.

02