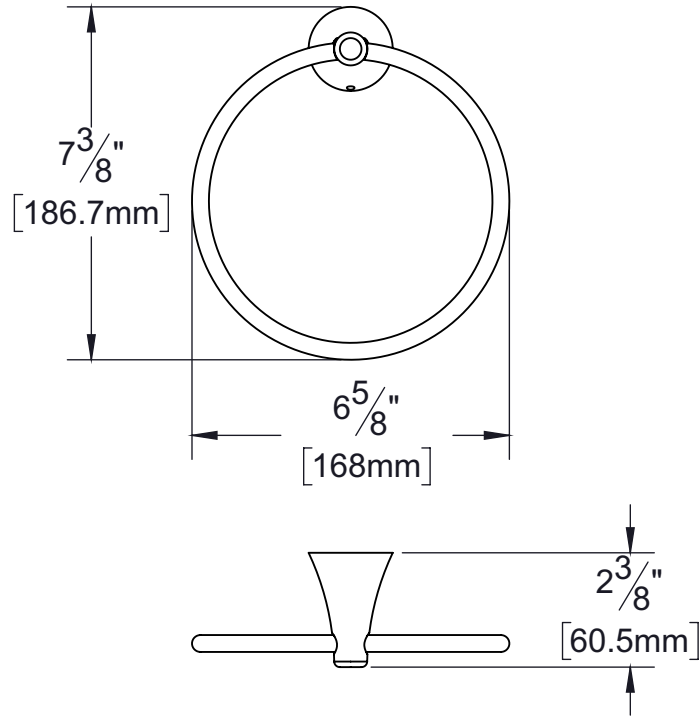


PRODUCT DATA SHEET

Product Description: Towel ring, Duval. Post is fabricated from die cast zinc with a US19 matte black finish. Ring is fabricated from stainless steel with a US19 matte black finish. Ships with mounting hardware.



Overall Size: 6 5/8" W X 7 3/8" H X 2 3/8" D

Material: Zinc Post, Stainless Steel Ring

Finish: US19 Matte Black

Cross Reference

Manufacturer	Part Number



Description:

**Towel Ring,
Duval**

Part Number:

10819

Date

07/17

Rev.

01

Sheet 1 of 1