

# TrueView 625

## TrueView 3D imaging system with three cameras and mobile mapping capability

Based on the RIEGL miniVUX-1UAV, similar to our TrueView 655/660, with triple cameras TrueView 625 is where price and performance meet. In addition, the TrueView 625, like all 600-series payloads, is NDAA-compliant. This is the most affordable high-end system combining high accuracy and precision in a budget friendly package.



### LiDAR Sensor

- **Sensor:** RIEGL miniVUX-1UAV
- **Range:** Depending on PRR. Max 330 m, and typical 170 m at FULL PRR 300 kHz 20% reflectivity.
- **Accuracy:** 15 mm and Precision 10 mm typical 1 sigma
- **Number of Lasers:** 1
- **Total Pulse Rate:** 100 kHz
- **Rotation Speeds:** 30 -100 Hz
- **Beam Spot Size:** At 100 m :160 mm \* 50 mm
- **Returns:** 5

### Platform

- |  |   |
|--|---|
| <ul style="list-style-type: none"> <li>• <b>Size:</b> <ul style="list-style-type: none"> <li>• Length: 320 mm</li> <li>• Width: 185 mm</li> <li>• Height: 216 mm</li> </ul> </li> <li>• <b>Weight:</b> <ul style="list-style-type: none"> <li>• 2.44 kg for payload</li> <li>• 2.69 kg for payload with accessories</li> </ul> </li> </ul> | <ul style="list-style-type: none"> <li>• <b>Power Consumption:</b> 51.1W typical, 63.9W peak</li> <li>• <b>Operating Voltage:</b> 12 V – 34 V</li> <li>• <b>Operating Temperature:</b> -10° to 40° C</li> </ul> |
|--|---|

### Applications

- Rail Inspection
- Wire Extraction - Distribution
- Road Design

### System

- **Control:** WIFI + button control
- **Storage:** 128 GB internal storage + 32 GB external

### Navigation Solution

- **INS:** Trimble Applanix APX15Ei
- **Post-Processing Options:**
  - Single Base
  - PP-RTX (no base station) with fast convergence
  - SmartBase
- **Performance (PPK):**
  - 0.03 - 0.05 RMSE
  - better than 0.08° heading, 0.025 Pitch & Roll

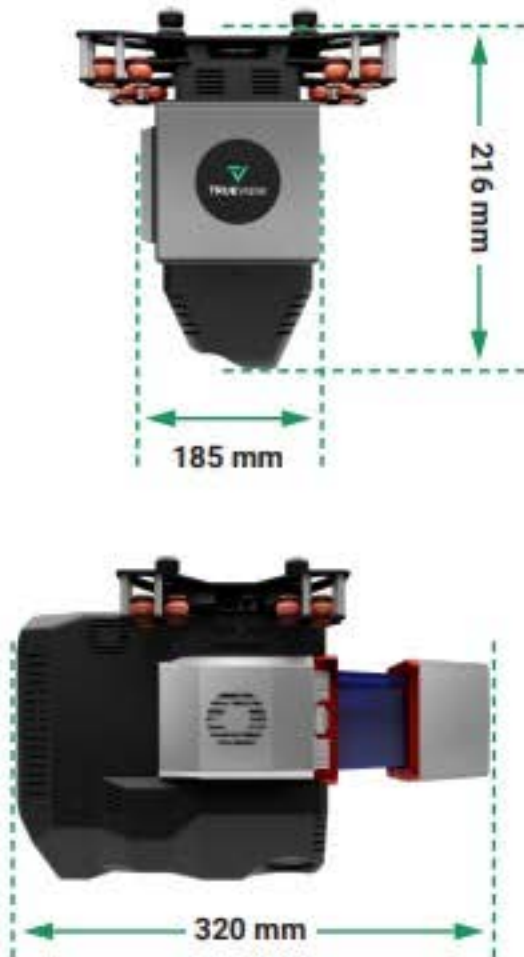
### Cameras

- **Type:** 3 \* 20 MP Sony mechanical leaf shutter, calibrated
- **Motion Blur:** 0.37 pixel @ 5 m/s @ 80 m
- **FOV:** 113° FOV configuration

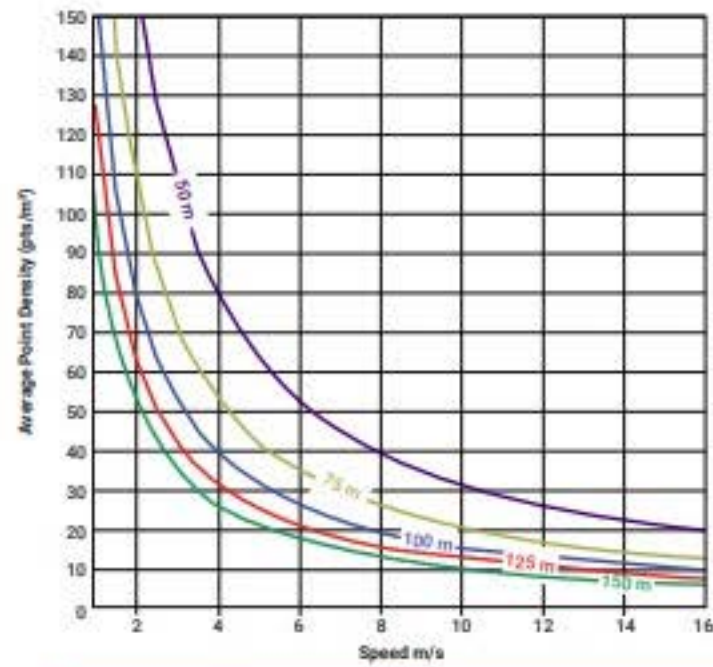
### Processing Modules

- |  |  |
|--|--|
| <ul style="list-style-type: none"> <li>• <b>LP360 Drone (included with the following processing modules)</b> <ul style="list-style-type: none"> <li>• Strip Adjustment</li> <li>• Photo</li> <li>• 3D Accuracy</li> </ul> </li> <li>• <b>Optional Add On's</b> <ul style="list-style-type: none"> <li>• Business Intelligence</li> <li>• Unlimited Project</li> <li>• Metashape Console</li> </ul> </li> </ul> | <ul style="list-style-type: none"> <li>• <b>LP360 Cloud (optional)</b> <ul style="list-style-type: none"> <li>• Access <ul style="list-style-type: none"> <li>- Store &amp; Share</li> </ul> </li> <li>• Starter <ul style="list-style-type: none"> <li>- Stream &amp; View Data</li> <li>- Power Search</li> <li>- Automatic Ground Classification</li> </ul> </li> </ul> </li> </ul> |
|--|--|

## Payload Specifications



## Performance Data



**Example:**  
 minIFUX-1 UAV at 100,000 pulses/second, speed = 4 m/s range to target = 100 m, resulting point density ~ 40 pts/m<sup>2</sup>

### Accuracy/Precision

#### Precision Observed on One Strip:

Typical 20 mm, less than 15 mm (1 sigma) observed at 75 m on concrete

#### Global Accuracy

Typical 3 cm RMSE, better than 5 cm 3D RMSE – depending on GNSS conditions, accuracy of control points and coordinate system

## Features



#### Quick Connect to Drone

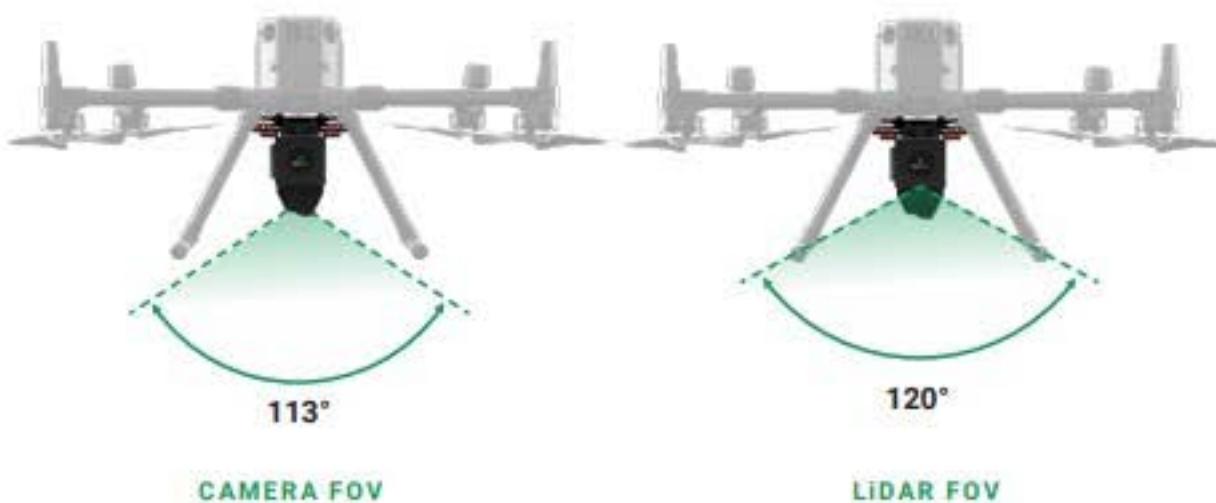
Compatible with other TrueView payloads (plug and play with TV720 TV535, ect.)



#### 3 Calibrated Cameras

Providing true colorization over 113°

### TV625 Field of View (FOV)



### Compatible Brands

**dji**



**skyfront**

**WATTS INNOVATIONS**

**DOOSAN**



**HARRIS AERIAL**