



### Roman Lift and Turn Bath Drain

#### Features:

- Fits most tubs up to 24" high
- 1-1/2" brass tubing in 20 Gauge
- Adjustable self-retaining rubber head gasket
- Heavy duty cast yellow brass head, tee and shoe
- Cast brass shoe plug and stopper
- Complete assembled in carton
- Available in Chrome only

#### Technical Specifications:

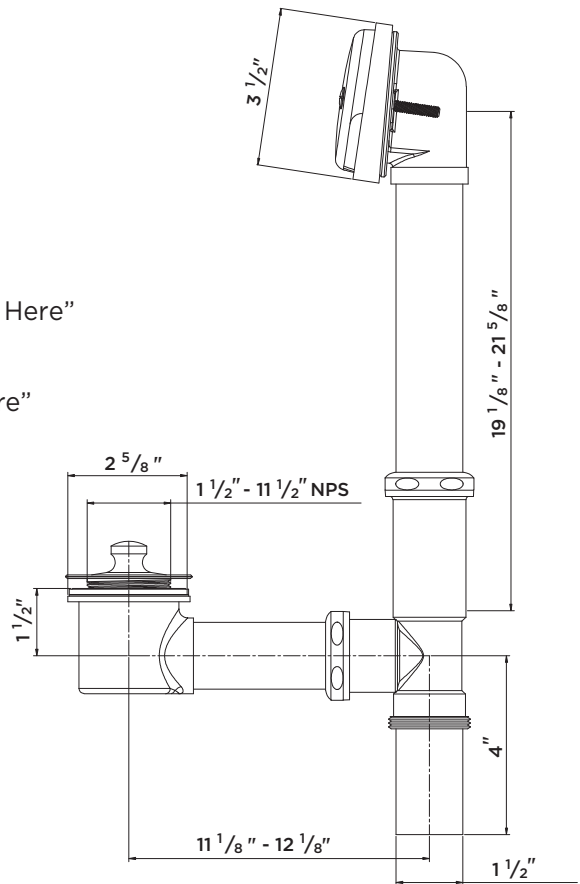
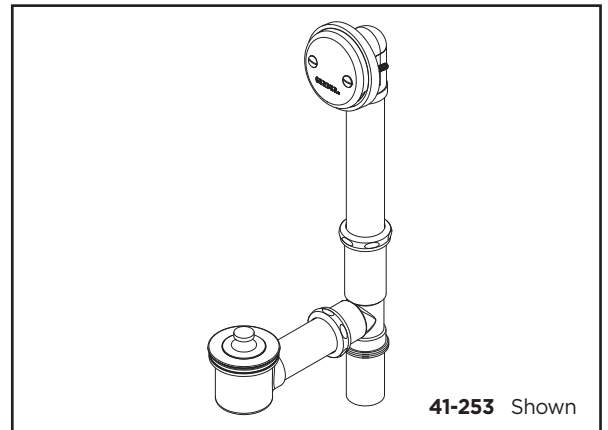
- IAPMO/UPC
- ASME A112.18.2

#### Catalog Numbers:

- 41-253** For roman tubs, brass nuts
- 41-253-70-88** For roman tubs, female outlet tee, "Clean Out Here"
- 41-253-76** For roman tubs, retaining ring
- 41-253-88** For roman tubs, "Clean Out Here"
- 41-255-70-88** For roman tubs, female outley, "Clean Out Here"
- 41-255-76** For roman tubs, retaining ring
- 41-255-87-89** For roman tubs, Horizontal installation
- 41-255-88** For roman tubs, "Clean Out Here"
- 41-258** For standard tubs, zinc nuts
- 41-258-88** For standard tubs, "Clean Out Here"
- 41-258-70-88** For standard tubs, female outlet tee, "Clean Out Here"

#### Suffixes Available:

None



Job Name	
Date	
Model Specified	
Quantity	
Customer	
Contractor	
Architect/engineer	