

10" Rough-in

**Features:**

□ **25-833**

- Vitreous China
- 1.28gpf High Efficiency or 1.6gpf Low Consumption Floor Mount Bowl
- 10" Rough-in
- Elongated Spud Bowl
- Top Spud
- Siphon Jet
- 1 1/2" Spud for Flushometer Valve
- Toilet seat not Included



25-833 Urinal Shown

**Technical Information:**

**Included Components:**

- Bowl                      25-833

**Fixtures:**

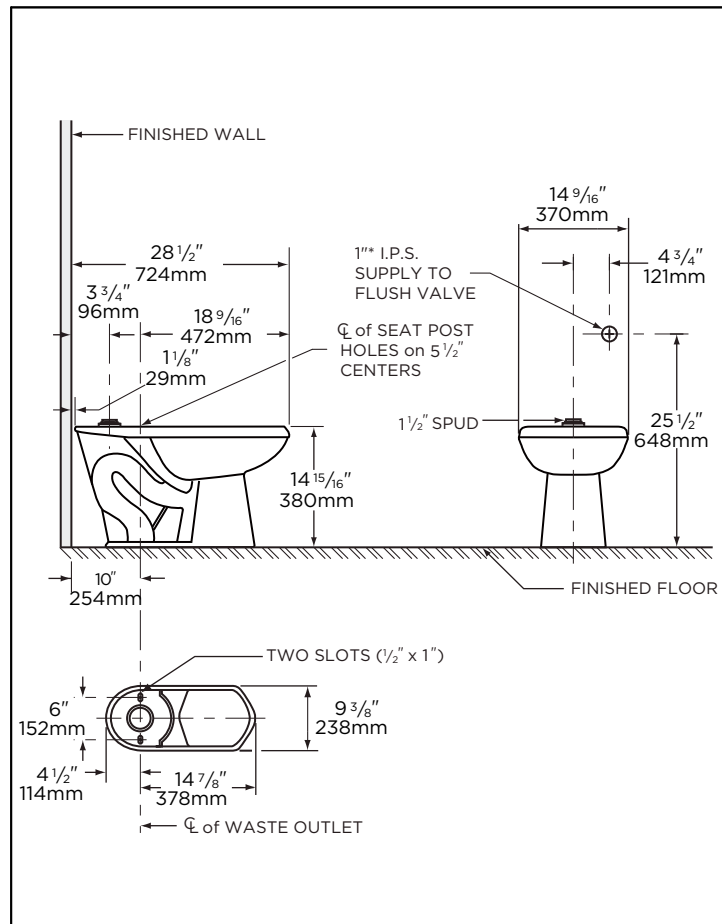
Configuration	Two-piece, Elongated Spud Bowl
Water per flush	1.28 gpf (4.8 lpf) or 1.6 gpf (6.0 Lpf)
Rough-In	10"
Height	14 15/16"
Width	14 9/16"
Depth	27 3/8"
Trapway	2"
Large Water Surface	8 11/16" x 6 5/16"
Product Weight	46.2 lbs

**Colors:**

- White
- Other: Refer to Price Book for additional colors

**Warranty:**

- Limited Lifetime Warranty



**NOTES:** All dimensions are in inches and millimeters. Use flush valve manufacturer's recommended rough-in. Illustrations may not be drawn to scale.

**IMPORTANT:**

Dimensions of fixtures are nominal and may vary within the range of tolerances established by ASME Standard A 112.19.2. THIS FIXTURE QUALIFIES ACCORDING TO ASME TEST PROCEDURES AS A HIGH EFFICIENCY WATER CLOSET WITH AN AVERAGE CONSUMPTION OF 1.28/1.6 gpf (4.8/6.0 Lpf) OR LESS.