



## AVALANCHE™ ErgoHeight™ 17" High Elongated Toilet

10" Rough-in



### Features:

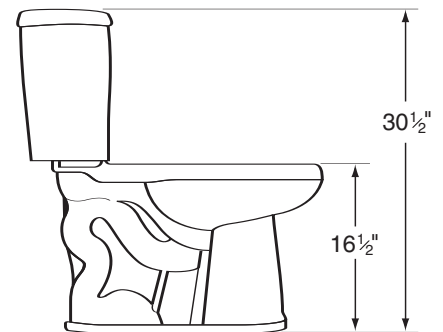
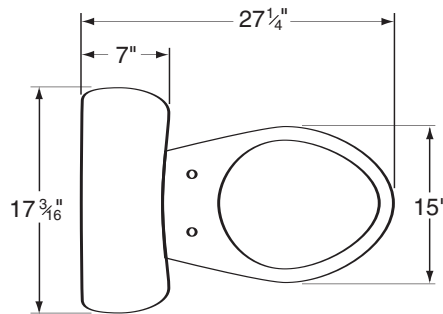
- Low Consumption 1.6 gpf (6.0 Lpf)
- ADA Elongated Bowl
- Slim Line Tank
- Fluidmaster Fill Valve XP-3 Technology
- Glazed Trapway
- Reverse Trap
- Dual Feed Jet
- Various Colors
- Side Tank Lever
- 2 Bolt Caps
- ADA Compliant

### Dimensions:

Height..... 30 1/2"  
 Width ..... 17 3/16"  
 Depth ..... 27 1/4"  
 Rough-in ..... 10"  
 Water Surface from Rim ..... 5 1/4"  
 Trapway (min) ..... 2"  
 Water Surface..... 10" x 8 1/2"  
 Water Seal ..... 2 1/2"  
 Shipping Weight..... 92 lbs



**Specifications:** Bowl — #21-828 Elongated Bowl      Tank — #28-895  
 Seat not included

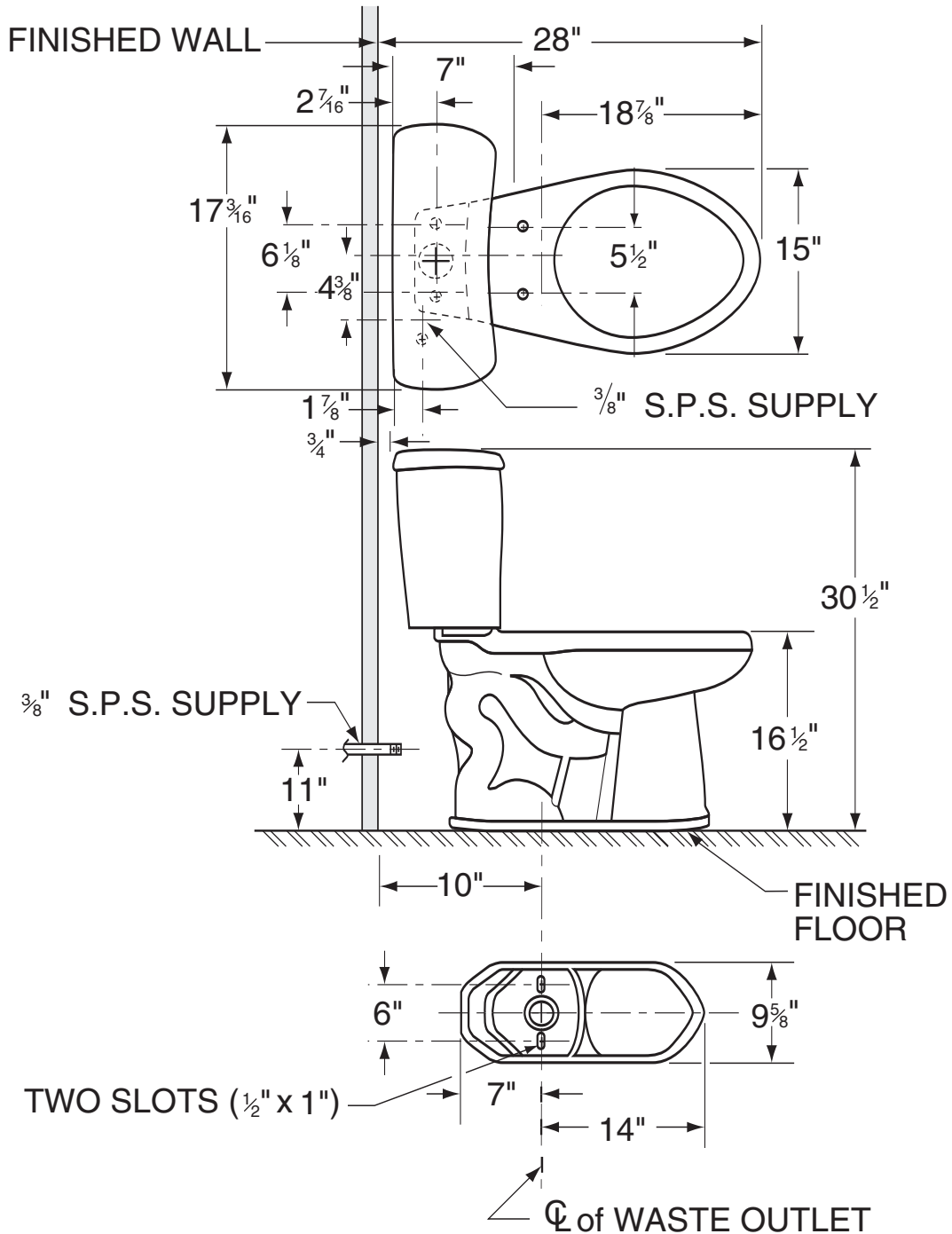


THIS FIXTURE QUALIFIES ACCORDING TO ASME TEST PROCEDURES AS A LOW CONSUMPTION WATER CLOSET WITH AN AVERAGE CONSUMPTION OF 1.6 gpf (6 Lpf) OR LESS.



GERBER®  
 YOUR BUSINESS. YOUR BRAND.  
[www.gerberonline.com](http://www.gerberonline.com)

Job Name	
Date	
Model Specified	
Quantity	
Customer	
Contractor	
Architect/engineer	



**NOTES:**  
All dimensions are in inches.  
  
Illustrations may not be drawn to scale.

**IMPORTANT:**  
Dimensions of fixtures are nominal and may vary within the range of tolerances established by ASME Standard A 112.19.2.  
  
THIS FIXTURE QUALIFIES ACCORDING TO ASME TEST PROCEDURES AS A LOW CONSUMPTION WATER CLOSET WITH AN AVERAGE CONSUMPTION OF 1.6 gpf (6 Lpf) OR LESS.