



VITREOUS CHINA

TOILET
21-814

LAVATORIES

TOILETS

BIDETS / URINALS

CAST IRON

AVALANCHE™ Elongated Toilet

14" Rough-in

Features:

- 1.6 gpf (6.0 Lpf)
- Elongated Bowl
- Slim Line Tank
- Gerber XP-3 Technology
- Fluidmaster® Fill Valve
- 3" Flush Valve
- Glazed Trapway
- Reverse Trap
- Dual Feed Jet
- Side Tank Lever
- White, Bone and Biscuit
- 2 Bolt Caps

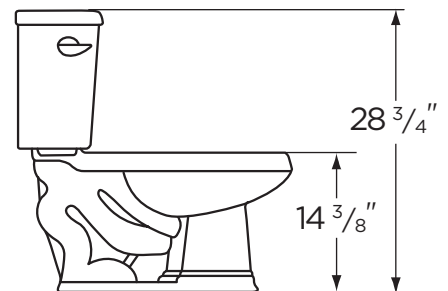
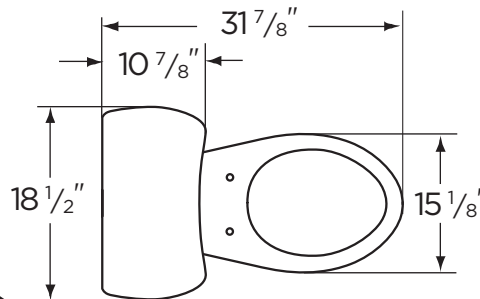


Dimensions:

- Height 28 3/4"
- Width 18 1/2"
- Depth 31 7/8"
- Rough-in 14"
- Water Surface from Rim 5 1/2"
- Trapway (min) 2"
- Water Surface 11 1/8" x 8 7/8"
- Water Seal 2 3/8"
- Shipping Weight 90 lbs

Specifications: Bowl—#21-862 Elongated Bowl
Seat not included

Tank—#28-894



THIS FIXTURE QUALIFIES ACCORDING TO ASME TEST PROCEDURES AS A WATER CLOSET WITH AN AVERAGE CONSUMPTION OF 1.6 GAL. OR LESS.



www.gerberonline.com

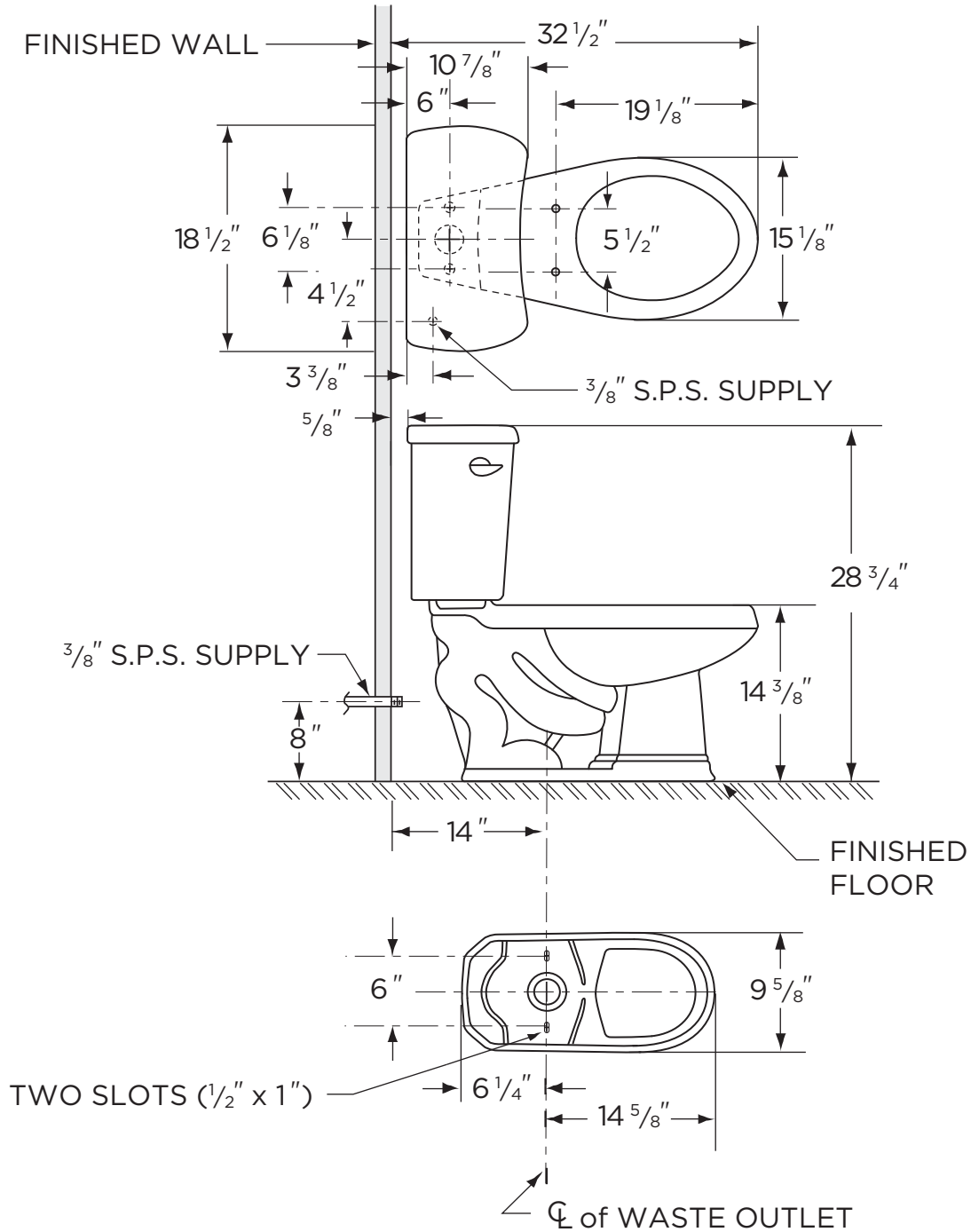
Job Name	
Date	
Model Specified	
Quantity	
Customer	
Contractor	
Architect/engineer	



1.6 gpf (6 Lpf) AVALANCHE™ TOILET

21-814

Elongated Toilet, 14" Rough-in
(Bowl 21-862 and Tank 28-894)



NOTES:
All dimensions are in inches.

Illustrations may not be drawn
to scale.

IMPORTANT:

Dimensions of fixtures are nominal and may vary within the range of tolerances established by ASME Standard A 112.19.2.

THIS FIXTURE QUALIFIES ACCORDING TO ASME TEST PROCEDURES AS A WATER CLOSET WITH AN AVERAGE CONSUMPTION OF 1.6 gpf (6 Lpf) OR LESS.