



VITREOUS CHINA

TOILET  
21-424



14" Rough-in



# MAXWELL® ErgoHeight™ 17" High Elongated Toilet

### Features:

- Low Consumption 1.6 gpf (6.0 Lpf)
- Elongated Bowl
- ADA Compliant
- Slim Line Tank
- Glazed Trapway
- Reverse Trap
- Front Jet Flushing Action
- Front Tank Lever
- White, Bone, Biscuit
- 2 Bolt Caps

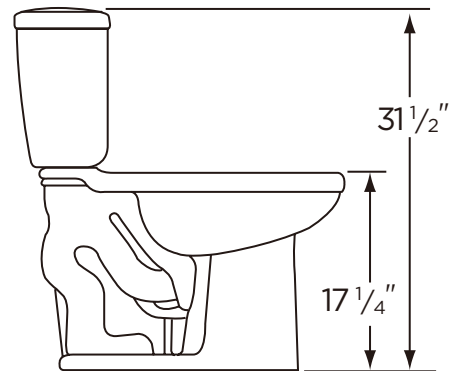
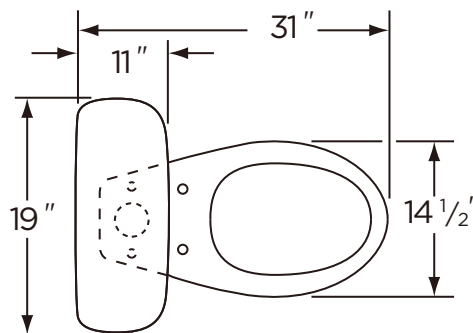


### Dimensions:

- Height .....31 1/2"
- Width .....19"
- Depth .....31"
- Rough-in .....14"
- Water Surface from Rim ... 5 5/8"
- Trapway (min)..... 1 3/4"
- Water Surface .....10" x 8 1/2"
- Water Seal ..... 2 1/2"
- Shipping Weight ..... 90 lbs

**Specifications:** Bowl—#21-728 Elongated Bowl  
Seat not included

Tank—#28-494



THIS FIXTURE QUALIFIES ACCORDING TO ASME TEST PROCEDURES AS A LOW CONSUMPTION WATER CLOSET WITH AN AVERAGE CONSUMPTION OF 1.6 GAL. OR LESS.



www.gerberonline.com

Job Name	
Date	
Model Specified	
Quantity	
Customer	
Contractor	
Architect/engineer	

