



VITREOUS CHINA

TOILET  
21-418

LAVATORIES

TOILETS

BIDETS / URINALS

CAST IRON



# MAXWELL® 17" High Elongated Toilet

12" Rough-in



### Features:

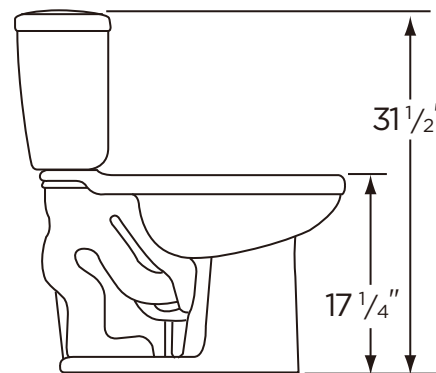
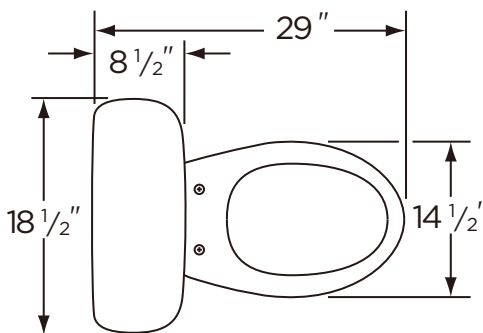
- Low Consumption 1.6 gpf (6.0 Lpf)
- Elongated Bowl
- Slim Line Tank
- Glazed Trapway
- Reverse Trap
- Front Jet Flushing Action
- Front Tank Lever
- White, Bone, Biscuit
- 2 Bolt Caps
- ADA Compliant



### Dimensions:

- Height .....31 1/2"
- Width ..... 18 1/2"
- Depth .....29"
- Rough-in .....12"
- Water Surface from Rim ... 5 5/8"
- Trapway (min)..... 1 3/4"
- Water Surface .....10" x 8 1/2"
- Water Seal ..... 2 1/2"
- Shipping Weight ..... 90 lbs

**Specifications:** Bowl—#21-728 Elongated Bowl      Tank—#28-490  
Seat not included



THIS FIXTURE QUALIFIES ACCORDING TO ASME TEST PROCEDURES AS A LOW CONSUMPTION WATER CLOSET WITH AN AVERAGE CONSUMPTION OF 1.6 GAL. OR LESS.



www.gerberonline.com

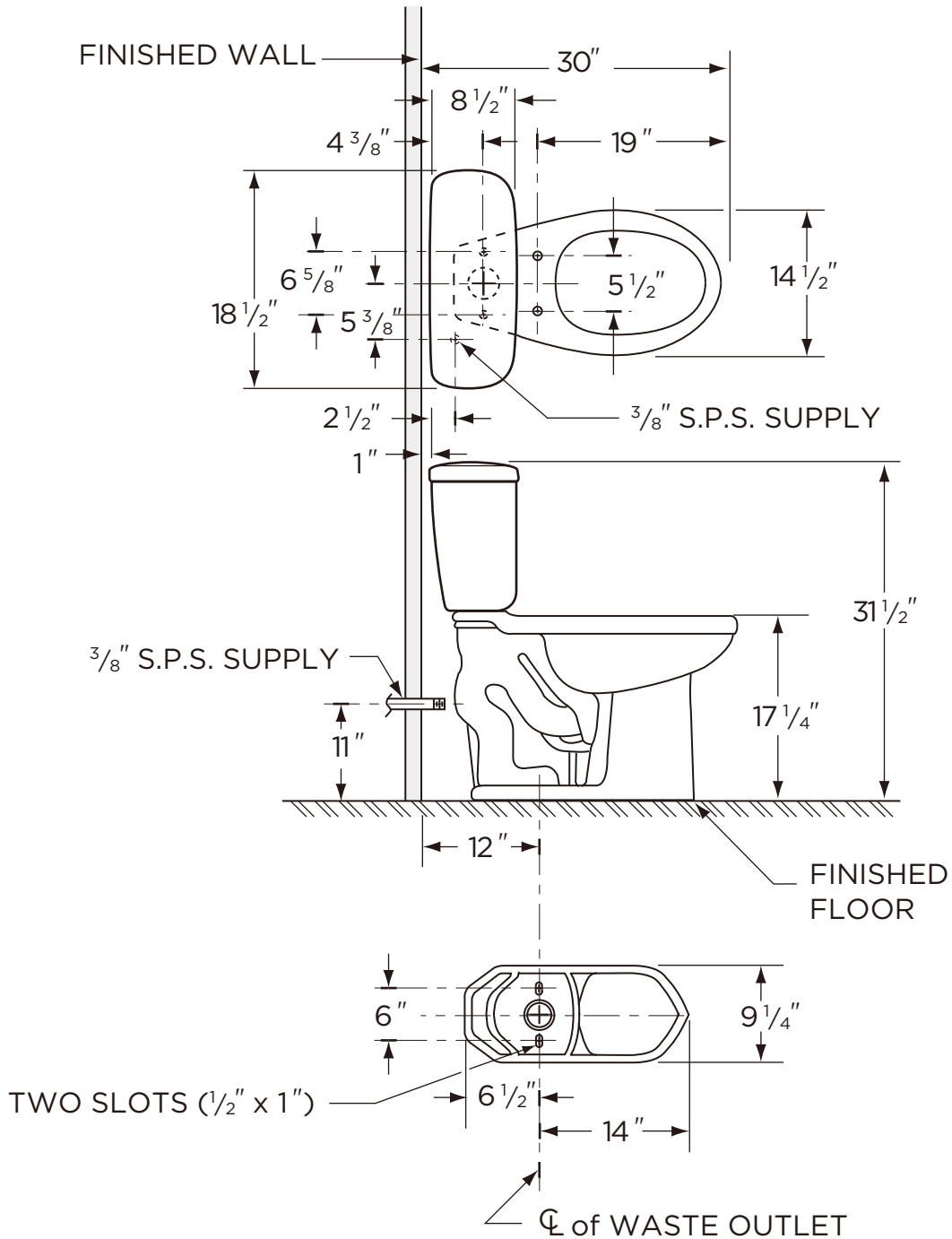
Job Name	
Date	
Model Specified	
Quantity	
Customer	
Contractor	
Architect/engineer	



1.6 gpf (6 Lpf) LOW CONSUMPTION MAXWELL® TOILET

21-418

17" High Elongated, 12" Rough-in  
(Bowl 21-728 with Tank 28-490)



NOTES:  
All dimensions are in inches.

Illustrations may not be drawn  
to scale.

IMPORTANT:

Dimensions of fixtures are nominal and may vary  
within the range of tolerances established by ASME  
Standard A 112.19.2.

THIS FIXTURE QUALIFIES ACCORDING TO ASME  
TEST PROCEDURES AS A LOW CONSUMPTION  
WATER CLOSET WITH AN AVERAGE CONSUMPTION  
OF 1.6 gpf (6 Lpf) OR LESS.