



ULTRA FLUSH® Pressure-Assist Toilet 17" High, Elongated

14" Rough-in



Features:

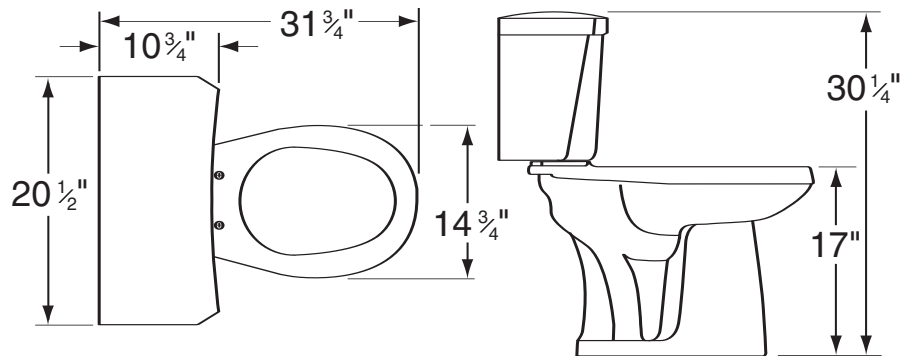
- Low Consumption 1.6 gpf (6.0 Lpf)
- Elongated Bowl
- Extra Seat Height
- Pressurized Flushing Action
- Close Coupled Flushometer Tank
- Siphon Jet
- Front Tank Lever
- Available With Tank Lever On Right Side – By Special Order
- 2 Bolt Caps
- ADA Compliant

Dimensions:

- Height 30 1/4"
- Width 20 1/2"
- Depth 31 3/4"
- Rough-in 14"
- Water Surface from Rim 4 1/2"
- Trapway (min) 2"
- Water Surface 12" x 10"
- Water Seal 2 1/2"
- Shipping Weight 103 lbs



Specifications: Bowl — #21-377 Elongated Bowl Tank — #28-384
Seat not included



THIS FIXTURE QUALIFIES ACCORDING TO ASME TEST PROCEDURES AS A LOW CONSUMPTION WATER CLOSET WITH AN AVERAGE CONSUMPTION OF 1.6 gpf (6 Lpf) OR LESS.

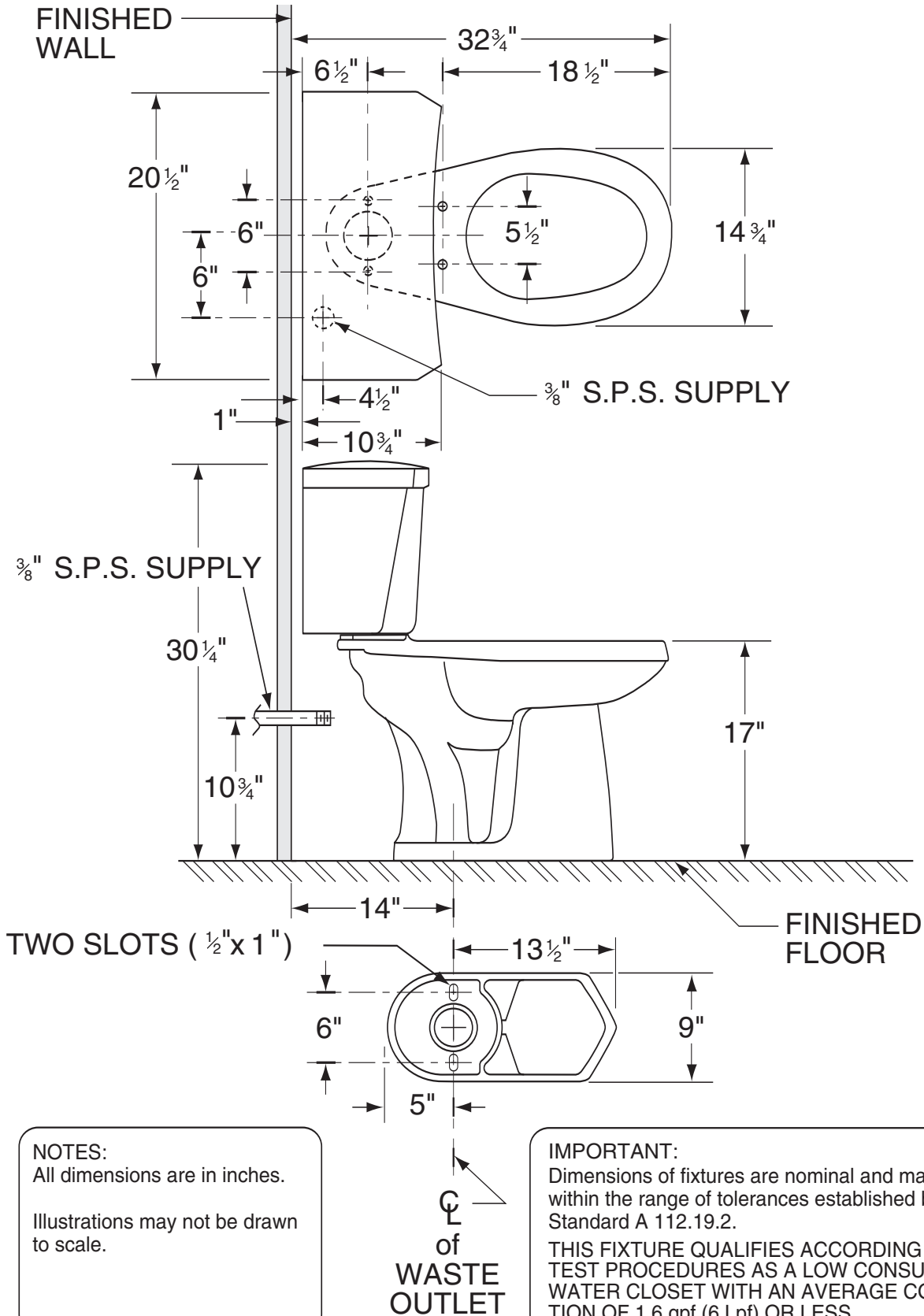


GERBER®

YOUR BUSINESS. YOUR BRAND.

www.gerberonline.com

Job Name	
Date	
Model Specified	
Quantity	
Customer	
Contractor	
Architect/engineer	



NOTES:
All dimensions are in inches.
Illustrations may not be drawn to scale.

IMPORTANT:
Dimensions of fixtures are nominal and may vary within the range of tolerances established by ASME Standard A 112.19.2.
THIS FIXTURE QUALIFIES ACCORDING TO ASME TEST PROCEDURES AS A LOW CONSUMPTION WATER CLOSET WITH AN AVERAGE CONSUMPTION OF 1.6 gpf (6 Lpf) OR LESS.