



VITREOUS CHINA

TOILET  
21-012

LAVATORIES

TOILETS

BIDETS / URINALS

CAST IRON

# MAURICE™ ULTRA FLUSH® Pressure-Assist One-Piece Toilet Elongated

12" Rough-in



### Features:

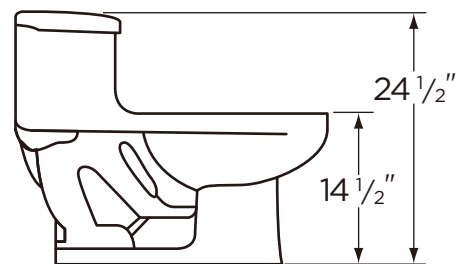
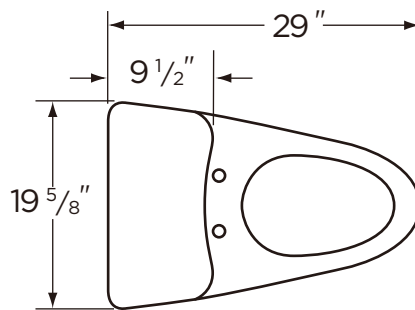
- Low Consumption 1.6 gpf (6.0 Lpf)
- Elongated Front
- Pressurized Flushing Action
- Siphon Jet
- Side Tank Lever
- 2 Bolt Caps
- Various Colors

### Dimensions:

- Height..... 24 1/2"
- Width.....19 5/8"
- Depth.....29"
- Rough-in .....12"
- Water Surface from Rim ...5 3/4"
- Trapway.....2"
- Water Surface.....11 3/4" x 9 1/2"
- Water Seal.....2 7/8"
- Shipping Weight .....107 lbs



**Specifications:** #21-012 Includes a Plastic Closed Front Top Cover  
Toilet Seat #99-212



THIS FIXTURE QUALIFIES  
ACCORDING TO ASME TEST  
PROCEDURES AS A LOW  
CONSUMPTION WATER CLOSET  
WITH AN AVERAGE CONSUMPTION  
OF 1.6 GAL. OR LESS.



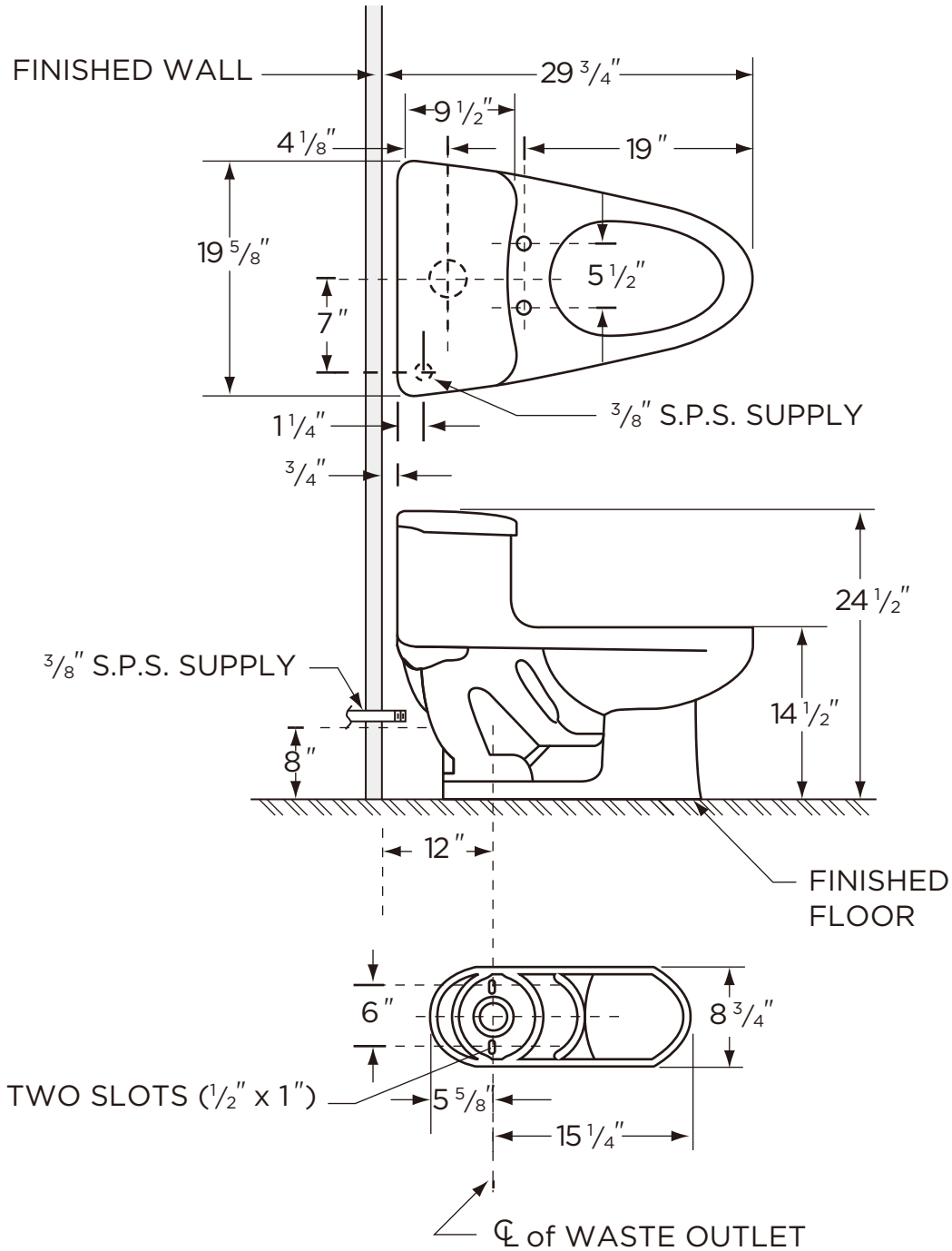
[www.gerberonline.com](http://www.gerberonline.com)

Job Name	
Date	
Model Specified	
Quantity	
Customer	
Contractor	
Architect/engineer	



# 1.6 gpf (6 Lpf) LOW CONSUMPTION ULTRA FLUSH® TOILET

21-012  
Elongated, 12" Rough-in  
(One-Piece)



NOTES:  
All dimensions are in inches.

Illustrations may not be drawn  
to scale.

### IMPORTANT:

Dimensions of fixtures are nominal and may vary within the range of tolerances established by ASME Standard A 112.19.2.

THIS FIXTURE QUALIFIES ACCORDING TO ASME TEST PROCEDURES AS A LOW CONSUMPTION WATER CLOSET WITH AN AVERAGE CONSUMPTION OF 1.6 gpf (6 Lpf) OR LESS.