



VITREOUS CHINA

TOILET
20-009

LAVATORIES

TOILETS

BIDETS / URINALS

CAST IRON

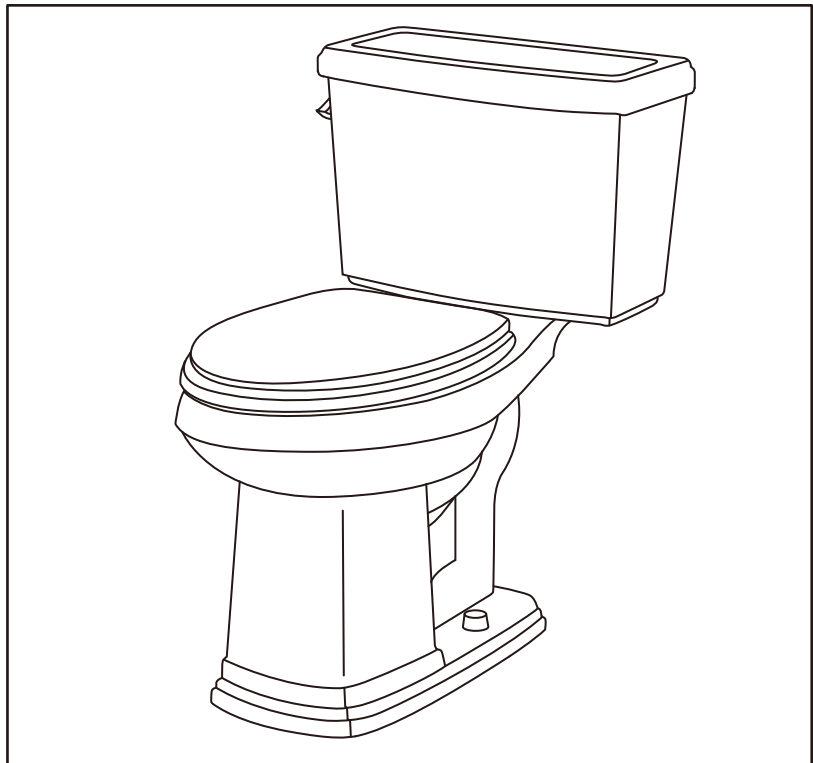


ALLERTON™ SUITE ErgoHeight™ 17" High Elongated Toilet

14" Rough-in

Features:

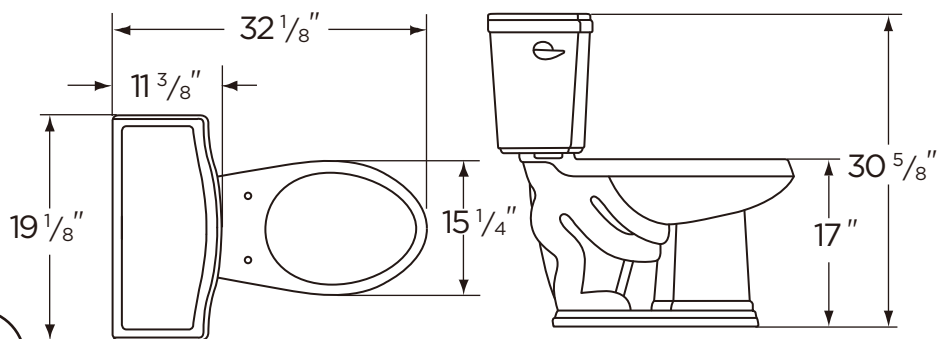
- 1.6 gpf (6.0 Lpf)
- Elongated Bowl
- Gerber HP-2 Technology
- Fluidmaster® Fill Valve
- Glazed Trapway
- Reverse Trap
- Dual Feed Jet
- White, Bone and Biscuit
- Side Tank Lever
- 2 Bolt Caps
- ADA Compliant



Dimensions:

- Height..... 30 5/8"
- Width..... 19 1/8"
- Depth..... 32 1/8"
- Rough-in14"
- Water Surface from Rim ... 5 5/8"
- Trapway.....2"
- Water Surface.....11 1/8" x 8 7/8"
- Water Seal..... 2 3/8"
- Shipping Weight91 lbs

Specifications: Bowl—#21-577 Elongated Bowl Tank—#28-584
Seat not included



THIS FIXTURE QUALIFIES ACCORDING TO ASME TEST PROCEDURES AS A WATER CLOSET WITH AN AVERAGE CONSUMPTION OF 1.6 GAL. OR LESS.



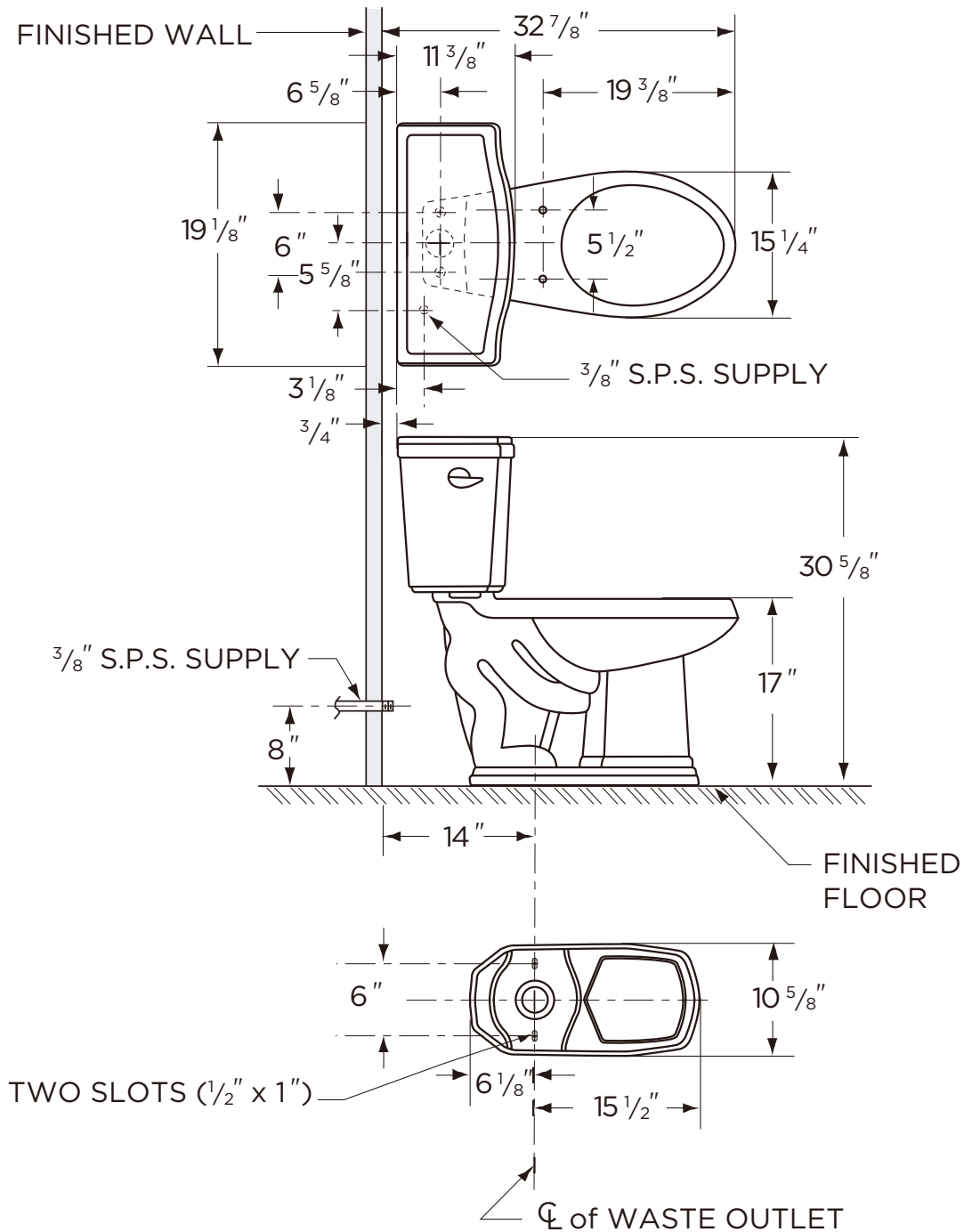
www.gerberonline.com

| | |
|--------------------|--|
| Job Name | |
| Date | |
| Model Specified | |
| Quantity | |
| Customer | |
| Contractor | |
| Architect/engineer | |



1.6 gpf (6 Lpf) ALLERTON™ TOILET

20-009
17" High Elongated, 14" Rough-in
(Bowl 21-577 with Tank 28-584)



NOTES:
All dimensions are in inches.

Illustrations may not be drawn
to scale.

IMPORTANT:

Dimensions of fixtures are nominal and may vary
within the range of tolerances established by ASME
Standard A 112.19.2.

THIS FIXTURE QUALIFIES ACCORDING TO ASME
TEST PROCEDURES AS A WATER CLOSET WITH
AN AVERAGE CONSUMPTION OF 1.6 GAL. OR LESS.