

UA-R560F2 5MP H.265 Super Low Lux WDR Pro Deep Learning IR Eyeball Dome IP Camera



- High quality imaging with progressive scan CMOS
- Triple streams from H.265, H.264
- IR distance up to 30 m (100 ft)
- Built-in microphone
- Built-in micro SD card slot, up to 256 GB
- Ingress protection (IP66)
- DC 12V / PoE (IEEE 802.3af)
- P2P function for GV-Eye app
- ONVIF conformant
- Intelligent analytics: Human & Vehicle Detection

Specifications

Video		
Imaging Device		1/2.7"
Picture Elements		2880 (H) x 1620 (V)
Scanning System		Progressive CMOS
Min. Illumination	Color	0.002 Lux at F1.2 (AGC On)
	B/W	0 Lux
	IR On	0 Lux
Lens Type		
Lens Type		Fixed
Focal Length (Zoom Ratio)		2.8 mm
Maximum Aperture		F/1.6
Mount		M12
Field of View		Horizontal: 110.6°, Vertical: 58.7°, Diagonal: 133.1°
Operation	Focus	Fixed
	Zoom	Fixed
	Iris	Fixed
Operation		
IR LED Quantity		2 IR LEDs
Max. IR Distance		30 m (100 ft)
Day and Night		IR cut filter with auto switch (Day / Night / Auto / Image / Schedule)
Backlight Compensation		Off / on (5 zones)
S/N Ratio		39 dB
WDR Pro		Yes
Dynamic Range		Up to 120 dB
Digital Noise Reduction		3D DNR
Motion Detection		Off / on (8 levels)
Privacy Masking		Off / on (4 zones)
Gain Control		Auto
White Balance		Auto / Manual
Electronic Shutter Speed		1/5 ~ 1/20000 s
Flip / Mirror		Flip / Rotation

Operation		
AI Analytics	Line Crossing Detection / Perimeter Intrusion Detection / Stationary Object Detection / Human & Vehicle Detection / Cross Counting / Queue Length Detection / Crowd Density Detection / Heat Map Statistics / License Plate Detection / Face Detection / Rare Sound Detection	
Image Setting	Hue, Bright, Contrast, Saturation, Sharpness, IR-CUT Mode, IR-CUT Delay, IR-LED, Low Beam Light, Angle Trad, Mirror, Backlight, White Balance, Shutter, Time Exposure, Defog, 3D Noise Reduction	
Audio Compression	G.711	
Audio Support	One-way audio	
Hardware Reset	Yes	
Network		
Ethernet	RJ45 (10/100 BASE-T)	
Video Compression Format	H.265 / H.264	
Resolution	Main Stream	5 MP: 2880 x 1620 (Default) 4 MP: 2592 x 1440 3 MP: 2304 x 1296 1080P: 1920 x 1080 720P: 1280 x 720
	Sub Stream	720P: 1280 x 720 (Default) VGA: 640 x 480 QVGA: 320 x 240
	Mobile Stream	VGA: 640 x 480 (Default) QVGA: 320 x 240
Max. Frame Rate	50 Hz: 25 fps at 5 MP / 4 MP / 3 MP / 2 MP / 720P / VGA / QVGA 60 Hz: 30 fps at 5 MP / 4 MP / 3 MP / 2 MP / 720P / VGA / QVGA	
Video Quality Adjustment	256 Kbps ~ 8 Mbps	
Bitrate Control Method	CBR / VBR	
Streaming Capability	Triple-Stream (Main / Sub / Mobile)	
IP	IPv4, IPv6	
Protocol	TCP/IP, HTTP, DHCP, DNS, DDNS, RTP/RTSP, SMTP, NTP, UPnP, SNMP, HTTPS, FTP	
Security	-IP address filter -Complicated password -Authenticated username and password	
Streaming Method	Unicast / Multicast	
Max. User Account	Max 7 (Admin + 6 user)	
Application Programming Interface	ONVIF (Profile S / G / T)	
Mechanical		
Camera Angle Adjustment	Pan	0° ~ 360°
	Tilt	0° ~ 80°
	Rotate	0° ~ 360°
Connector	Power	DC Jack
	Ethernet	Ethernet (10/100 Base-T), RJ45 cable
	Audio	1 in (built-in microphone)
	Local Storage	Micro SD card slot, up to 256GB (SD / SDHC / SDXC) *Class 10, UHS-I, UHS-II card type is not supported.
General		
Operating Temperature / Humidity	-30 ~ +55°C (-22°F ~ 131°F) / less than ≤ 95% RH	
Storage Temperature / Humidity	-30 ~ +60°C (-22°F ~ 140°F) / less than ≤ 95% RH	
Power Source	12V DC, 1A / PoE (IEEE 802.3af)	
Max. Power Consumption	5.5W	
Color / Material	White / Metal	

General	
Dimensions (Ø x H)	Ø100 x 90 mm (Ø 3.94" x 3.54")
Weight	420 g (0.93 lb)
Ingress Protection	IP66
Certification	CE, FCC, LVD, RoHS compliant
Web Interface	
Installation Management	Web-based configuration
Maintenance	Firmware upgrade through Web Browser or Utility
Access from Web Browser	Live View, Change Stream, AI Alarm, Play, Color, Stop, Original Proportions, Stretch, Full Screen, Record, Capture, Digital Zoom, Audio, Pixel Counter
Language	English / German / Spanish / French / Japanese / Italian / Portuguese / Russian / Turkish
Application	
Software Supported	GV-VMS (V18.3.1 / 17.4.5 *3 rd -party license required for SW connection) GV-Control Center (V4.1.0) GV-Recording Server (V2.1.0 *3 rd -party license required for SW connection) GV-Edge Recording Manager Windows Version (V2.2.0)
Smart Device Access	GV-Eye for iOS and Android (V2.9.1)
Live Viewing	IE10 / 11 Safari V12.1 or later Firefox V52 or later Google chrome V57 or later Edge V79 or later

Note: Specifications are subject to change without notice.

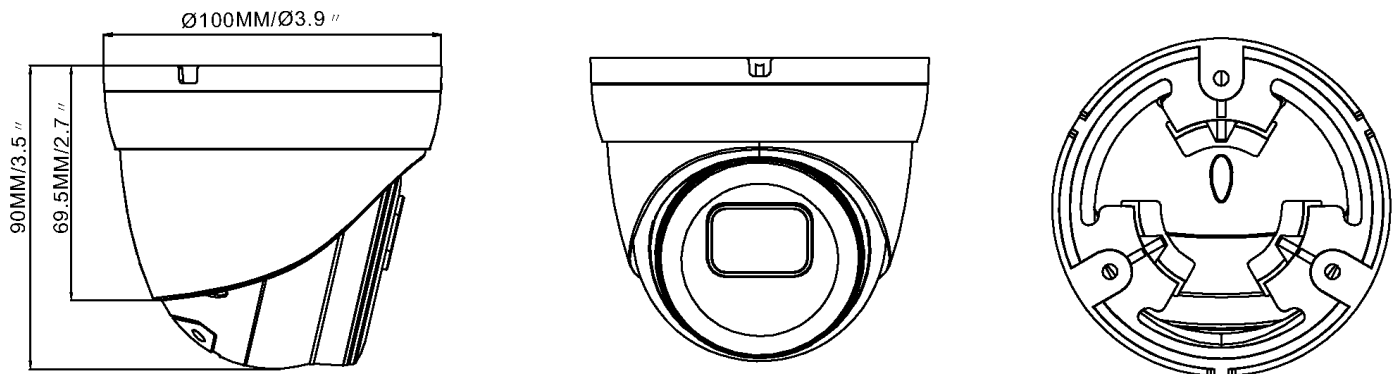
USA Vision Products Supported

- Standalone Network Video Recorder: UA-SNVR810-P, UA-SNVR1620-P, UA-SNVR3240-N



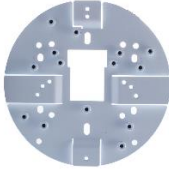

Packing List

1. UA-R560F2
2. Waterproof Rubber Set
3. Screw Kit
4. Drill Template Paster
5. Download Guide

Dimensions



Accessories

Model No.	Name		Details
GV-Mount215-1	Wall Mount Bracket		<p>Dimensions: 155 mm x 75 mm x 132 mm (6.1" x 2.95" x 5.2")</p> <p>Weight: 0.62 kg (1.37 lb)</p>
UA-Mount505	Wall Box Mount		<p>Dimensions: \varnothing 100.5 mm x 56 mm (\varnothing 3.96" x 2.2")</p> <p>Weight: 0.46 kg (1.01 lb)</p>
UA-Mount922	Power Box Mount Bracket		<p>Dimensions: \varnothing 148.00 mm (\varnothing 5.83")</p> <p>Weight: 180 g (0.4 lb)</p>
GV-PA191	Power over Ethernet (PoE) Adapter		<p>GV-PA191 is a Power over Ethernet (PoE) adapter designed to provide power to the IP device through a single Ethernet cable.</p>
GV-POE Switch			<p>The GV-POE Switch is designed to provide power along with network connection for IP devices. The GV-POE Switch is available in various models with different numbers and types of ports.</p>
Power Adapter			<p>Contact our sales representatives for the countries and areas supported.</p>