

GV-CS1320 2MP H.264 Camera Access Controller with a built-in Reader



Introduction

GV-CS1320 is an access controller with a built-in 2 MP camera and 13.56 MHz reader.

GV-CS1320 recognizes identification cards and grants access to up to 100,000 users accordingly. With the integration of the wide-angle camera, the Card and Face Mode enables GV-CS1320 to perform face detection together with card verification before access can be granted.

Visitors requesting entry permits can use the touchpad to be granted access. There are 3 types of notifications the operators can receive to grant access.

1. GV-ASNotify Program:

When GV-CS1320 is connected to GV-ASManager over the network, GV-ASNotify generates a notification message and snapshot whenever the touchpad is activated. The operator can use GV-ASNotify to watch live view and talk with the surveillance site.

2. GV-Access Mobile App:

Similarly, the operator can launch mobile app GV-Access to enable live view and voice communication with visitors at the door before permitting entry. The operator will receive an alert notification upon the trigger of the touchpad.

3. VoIP Calls:

When the touchpad is activated, GV-CS1320 will place a call to the operator through VoIP. The operator can then communicate with the visitor and enter the access code to open the door.

The all-in-one solution eliminates the need of installing and maintaining a separate camera in addition to the card reader and a door entry system.

For the face to be detected by GV-CS1320, the cardholders must present their face without covering by accessories.



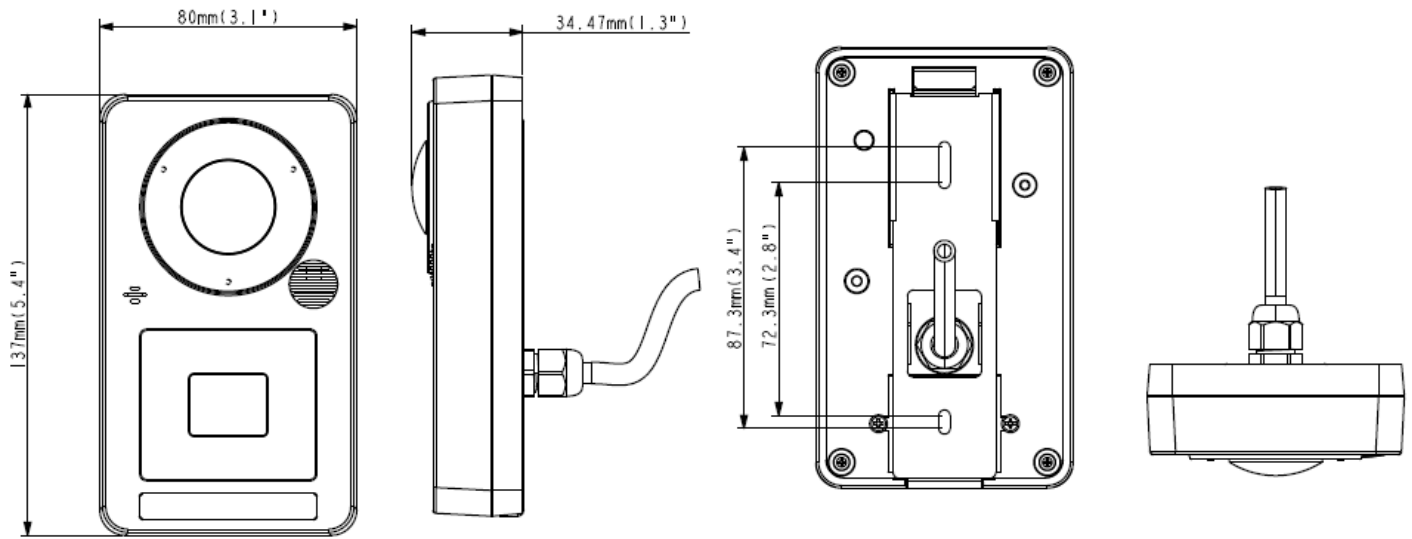
No Face, No Access

3 types of notifications (SIP/VoIP Calling, GV-ASNotify PC program, GV-Access Mobile App) are available for the operator to communicate with the visitors and grant access.

Manage Visitors



Dimensions



Key Features

Camera

- 2 MP progressive scan super low lux CMOS
- Minimum illumination at 0.02 lux
- Dual streams from H.264 and MJPEG
- Up to 15 fps at 1920 x 1080
- Day and night function (with removable IR-cut filter)
- Built-in IR with effective distance up to 3 m (10 ft)
- Ingress protection (IP66)
- 12V DC, 2.5A / PoE+ (IEEE 802.3at)
- Built-in microphone and speaker
- Wide Dynamic Range (WDR)
- Built-in micro SD card slot
- Provides 180° panorama view
- ONVIF (Profile S) conformant

Reader

- Built-in 13.56 MHz Reader (Mifare DESFire, MIFARE Plus and MIFARE Classic)
- Support for GV-Proximity Cards with GID (GeoVision Identifier) to enhance security
- Access by card plus face detection
- RS-485 and network interface for connecting up to 2 readers

Access Control

- Enabling different access control modes according to the Authentication Schedule: Card only mode (default), Card and Face Mode
- 1 door (one-way and two-way control)
- Touch pad for talk mode
- Receiving live view and capturing snapshots when card is presented
- iOS or Android app for event notifications
- SIP/VoIP calling support
- Anti-passback (APB) support
- 2 inputs, dry contact (Door Sensor / Exit Button)
- 1 relay outputs (Electric Lock)
- Support for GV-I/O Box 4 Ports for sensor, alarm application and door bell activation

Specifications

Camera		
Image Sensor		1/2.8" progressive scan super low lux CMOS
Picture Elements		1920 (H) x 1080 (V)
Minimum Illumination	B/W	0.02 Lux
Shutter Speed		Automatic, Manual (1/5 ~ 1/8000 sec)
White Balance		Automatic, Manual (2800K ~ 8500K)
S/N Ratio		52 db
Lens		
Megapixel		Yes
Day / Night function		Yes (with removable IR-cut filter)
Lens Type		Fixed
Focal Length		1.7 mm
Maximum Aperture		F/2.5
Mount		M12
Image Format		1/2.8"
Horizontal FOV		180°
IR LED Quantity		2
Max. IR Distance		3 m (10 ft)
Operation		
Video Compression		H.264, MJPEG
Video Streaming		Dual streams from H.264 and MJPEG
Video Resolution	Stream 1	1920 x 1080 (16:9)
	Stream 2	640 x 360 (16:9)
Frame Rate		15 fps at 1920 x 1080 * The frame rate and the performance may vary depending on the number of connections and data bitrates (different scenes).
Image Setting		Brightness, Contrast, Saturation, Sharpness, Gamma, White Balance, Image Orientation, Shutter Speed
Audio Compression		G.711
Network		
Interface		10/100 Ethernet
Protocol		DHCP, DynDNS, FTP, HTTP, HTTPS, NTP, ONVIF (Profile S), PSIA, QoS (DSCP), RTSP, SIP, SMTP, SNMP, TCP, UDP, UPnP, 3GPP/ISMA
Mechanical		
Local Storage		Micro SD card
Connectors	Power	2-pin terminal block
	Ethernet	Ethernet (10/100 Base-T), RJ-45 Connector
	Audio	Built-in microphone and speaker
	RS-485	RS-485 +, RS-485 -
General		
Operating Temperature		-20 ~ 50 °C (-4 ~ 122 °F)
Humidity		10 ~ 90% (no condensation)
Power Source		12V DC, 2.5A / PoE+ (IEEE 802.3at)
Maximum Power Consumption		25.5 W
Regulatory		CE, FCC, RCM, RoHS compliant
Dimensions		137 x 80 x 34.5 mm (5.4 x 3.15 x 1.36 in)
Weight		315 g (0.69 lb)
Ingress Protection		IP66
Web Interface		
Installation Management		Web-based configuration
Maintenance		Firmware upgrade through Web Browser or Utility

Access from Web Browser	Camera live view, change video quality, bandwidth control, image snapshot, audio, picture in picture, picture and picture
Language	English / French / Portuguese / Russian / Spanish / Traditional Chinese
Applications	
Network Storage	GV-DVR / NVR / VMS
Mobile Phone support	embedded 3GPP/ISMA browser
Live Viewing	Browser (IE, Edge, Chrome, Firefox)
Access Control / LPR Management	GV-ASManager
Controller	
Number of User Cards	100,000 cards (networked mode)
Frequency	13.56 MHz for ISO14443A (Mifare DESFire, Mifare Plus and Mifare Classic)
Event Buffer	50,000 events and log data
RS-485 Interface	1 RS-485 interface for GV-Readers (max. 2 readers)
TCP/IP Interface	1 TCP/IP interface for max. 2 readers: GV-CR420, GV-GF1921 / 1922, GV-FR2020, GV-FWC (for connecting GV-FD8700-FR and GV-VD8700)
Communication Protocol	TCP/IP
Digital I/O	2 inputs, dry contact NO/NC 1 relay outputs (30V DC, 0.5A)
Supported ID Formats	Built-in GID and UID reader

Note:

1. To support face detection function, avoid placing the camera reader where the light source is directly behind the subject.
2. All specifications are subject to change without notice.

Packing List

- GV-CS1320
- Mounting Plate
- Standard Screw x 2
- Plastic Screw Anchor x 2
- Security Screw
- Torx Wrench
- Silica Gel Bag
- Micro SD Card 2 GB (formatted and installed)
- Software DVD
- Warranty Card

Options

Optional devices can expand the capabilities and versatilities of your GV-AS Controllers. Consult your sales representative for more information.

GV-AS ID Card & GV-AS ID Key Fob	GV-AS ID Cards and GV-AS ID Key Fobs are ideal for business and residential environment, where access control is important for security reasons. 13.56 MHz cards and key fobs are available.
GV-CR420	GV-CR420 is a 13.56 MHz card reader with a built-in 4MP wide angle IP camera which saves the costs of maintaining a sperate camera for access control.
GV-CR1320	GV-CR1320 is a 13.56 MHz card reader with a built-in 2 MP camera which saves the costs of maintaining a sperate camera for access control. GV-CR1320 also supports VoIP calls, allowing the operator to talk to visitors and entering the access code to open the door.
GV-DFR1352	GV-DFR1352 is a 13.56 MHz card reader. The reader has both Wiegand and RS-485 outputs that can be connected to any standard access control panel.
GV-FR2020	GV-FR2020 is a 13.56 MHz face recognition reader. The reader supports two operation modes for access control: Face Recognition and Card.
GV-FWC	GV-FWC can integrate GV-Face Recognition Cameras and GV-AI FR into access control systems by sending access card data, paired to Face IDs, to controllers either through TCP/IP or Wiegand connection.
GV-GF Fingerprint Readers	GV-CS1320 is compatible with GV-GF1921 / 1922. The reader supports three operation modes for access control: Fingerprint Only, Fingerprint + Card and Card Only. Readers with optical and capacitance sensors are available.
GV-IB25 / 65 / 85 Infrared Button	The GV-IB25 / 65 / 85 Infrared Button detects infrared movement within 3 to 12 cm and allows you to open the door with a wave of hand.
GV-I/O Box 4 Ports V1.2	A small but capable device, the GV-I/O Box 4 Ports V1.2 provides 4 inputs and 4 relay outputs. It supports both DC and AC output voltages, and provides a USB port for PC connection.
GV-RK1352	GV-RK1352 is a 13.56 MHz card reader with keypad. The reader has both Wiegand and RS-485 outputs that can be connected to any standard access control panel.
GV-R1352	GV-R1352 is a 13.56 MHz card reader. The reader has both Wiegand and RS-485 outputs that can be connected to any standard access control panel.
GV-WTR	GV-WTR is a converter designed to support Wiegand interface to RS-485 interface, thereby enabling 3rd party readers to be connected to RS-485 GV-Controllers. Through the GV-WTR, Wiegand-interface readers can be easily combined to access control systems for improved versatility.
Electric Lock	Three types of electric locks are available: electromagnetic lock, electric bolt and electric strike.
Power Adapter	Contact our sales representatives for the countries and areas supported.
Push Button Switch	The push button switch can be integrated with access control system, allowing door exit by momentarily activating or deactivating the electric locking device. Both American standard and European standard push buttons are available.