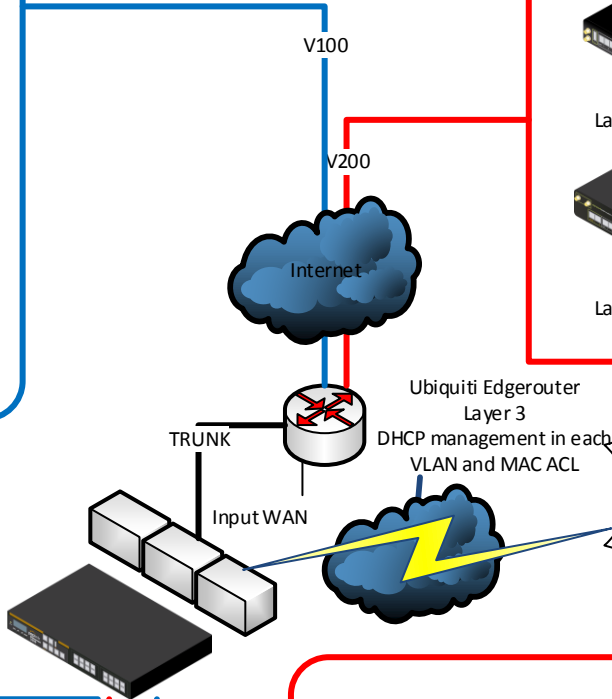
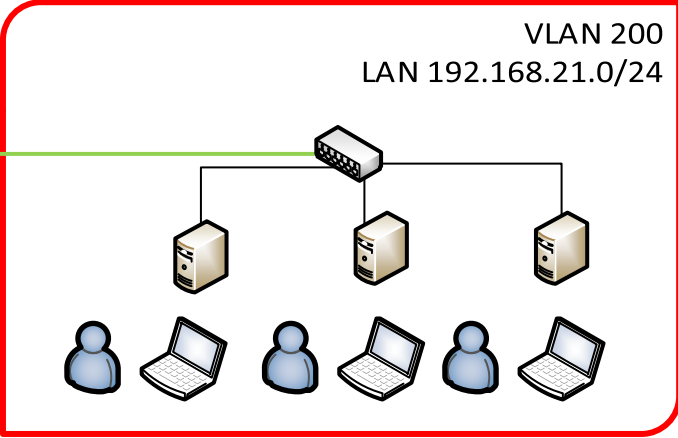
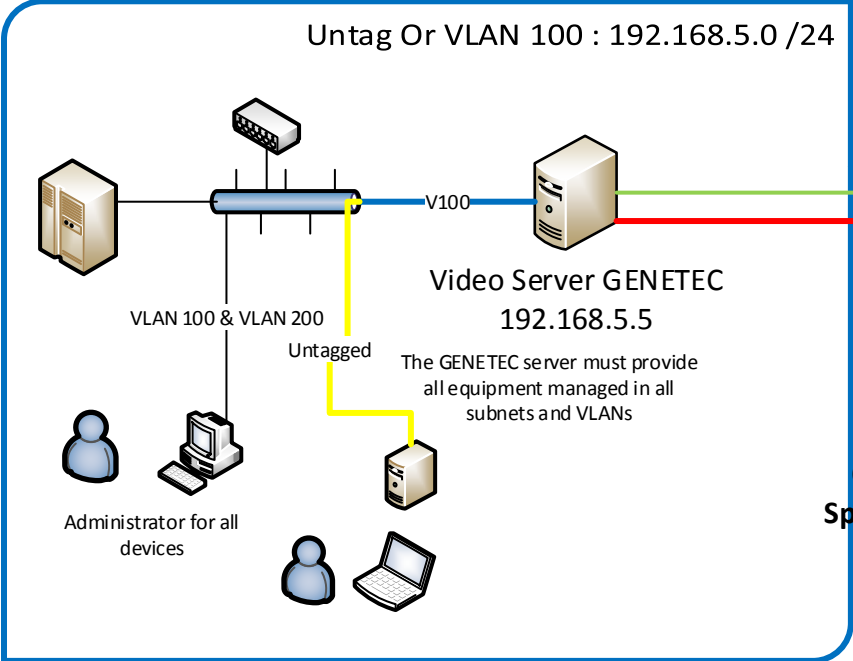


Peplink Balance 2500
 Lan 192.168.20.0/24
 Client VLAN 200 : 192.168.21.0/24
 Client VLAN N+1 : 192.168.22.0/24



PPTP remote access VPN for each separate VLAN by DSL



imperatively:
 Obligation for separation in routers Peplink VPN management
 Speedfusion between users of each VLAN but administrators must be able to manage all.

How to achieve this need in the Balance 2500??