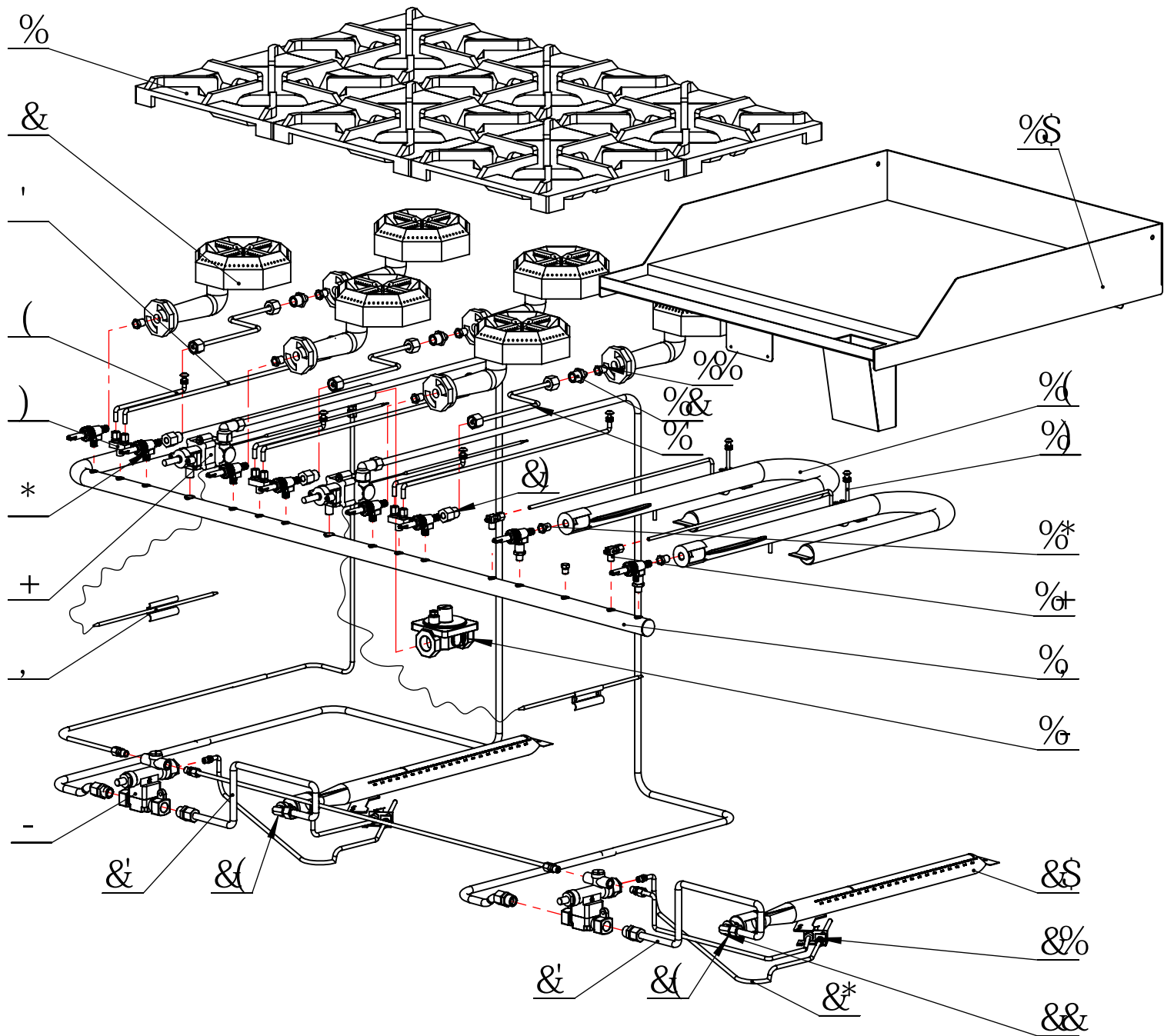


***** \$''F5 B; 9 'K ≠k '&('A5 BI 5 @7 CBHFC @
; F=88 @'9LD@C898 'J=9K G'5 B8 'D5 FHG' @GH

60" Range With 24" Manual Control Griddle Frame Detail

Key	Part number	Designation	Q'ty
1	FS-20228055031	Top shelf	1
2	FS-20228055026	Front deck	1
3	FS-301110405	Knob	8
4	FS-03900267	Oven thermostat knob	2
5	FS-20228055027	Crumb drawer left	1
6	FS-20228055037	Grease Drawer	1
7	FS-100103	36" oven door assy	2
8	FS-302220032	Oven door hinge roller assy	4
9	FS-2660003	Caster set,for 60"range, 3w/brake	6
10	FS-20228055031	60"-24CB back splash	1
11	FS-20228055028	Range back support beam 60"	3
12		Griddle plate assembly	1
13	FS-400040	Oven shelf bracket-Left	2
	FS-400041	Oven shelf bracket-Right	2
14	FS-400050	Oven rack, for 6 & 10 burner use	4
15	FS-4000391	Oven buttom panel,36"	2
16	FS-302090048	6" adjustable leg	6
17	FS-20228055015	Burner plate	2
18	FS-20228055017	Leg bolt	24
19	FS-20228062004	Front panel for 60"-24MG range	1
20		Mylar for 60"-24MG range	1

*\$"F5B; 9'K≠k'&("A5BI 5@7CBHFC@
.....; F=88 @; 5G'GMGH9A'89H5=@

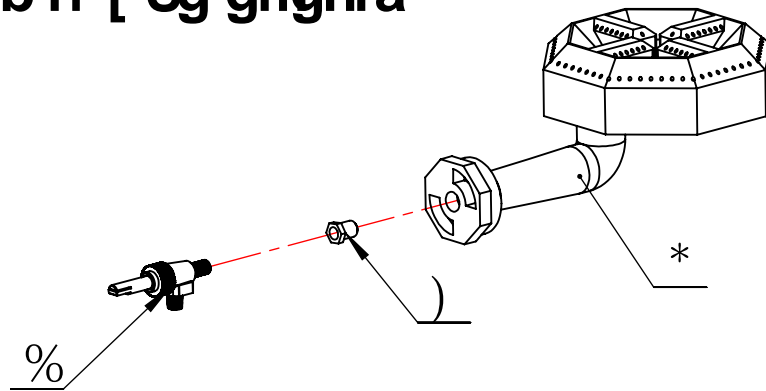


60" Range With 24" Manual Control Griddle Gas System Detail

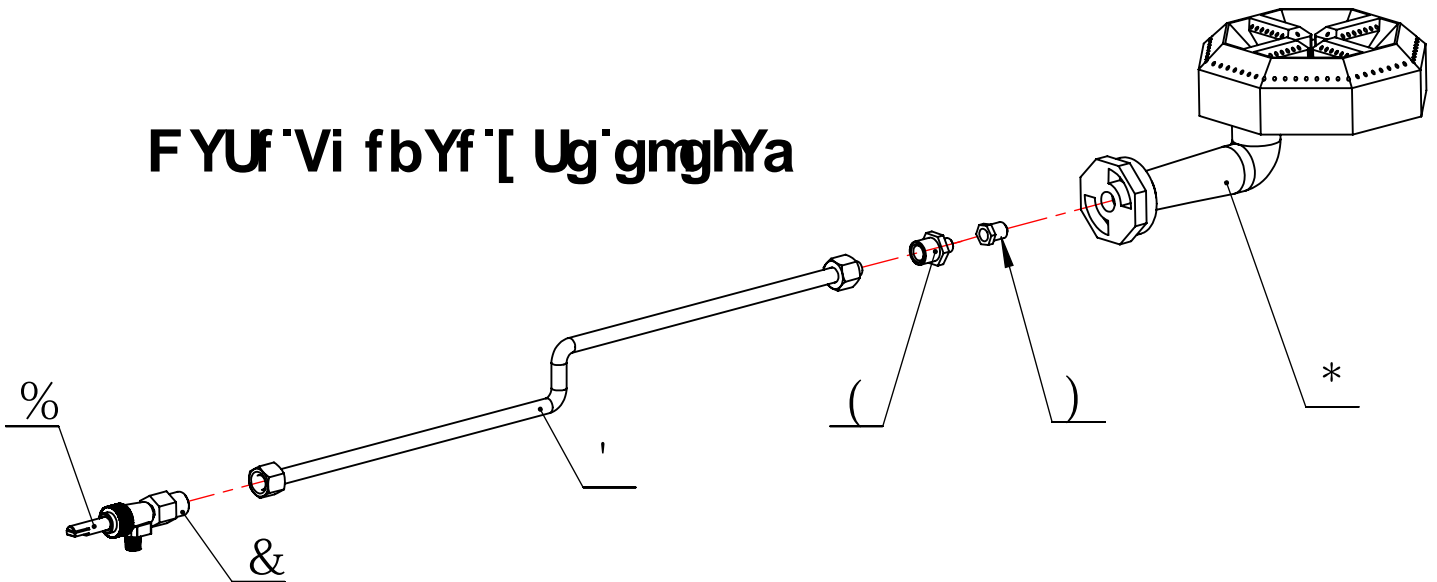
Key	Part number	Designation	Q'ty
1	FS-302250151	Grate	6
2	FS-302250034	Burner	6
3	FS-20228055019	Long pilot tube	3
4	FS-20228055018	Short pilot tube	3
5	FS-302220027	Pilot valve AP6	3
6	FS-302220059	Burner valve A18	8
7	FS-03B00050	Oven temperature control valve	2
8		Oven temperature probe(REF)	2
9	FS-03600125	Oven safety valve	2
10		Griddle assembly	1
11	FS-302150041 KIT	Orifice #41 NG	6
	FS-3021500520 KIT	Orifice #53 LP	6
12		Orifice mountfitting	3
13	FS-20228055020	Rear burner gas tube	3
14	FS-302130387	"U" burner	2
15	FS-20228055035	Griddle polit tube	2
16		Griddle burner orifice	2
17	FS-302220028	Pilot valve AP7	2
18	FS-20228055040	Main gas manifold	1
19	FS-309020070	6" Regulator valve	1
20	FS-302250035	Oven burner	2
21	FS-03510036	Oven pilot bracket	2
22	FS-302150053	Oven orifice #53 LP	2
	FS-3021500381	Oven orifice #38 NG	2
23		Oven burner gas tube	2
24		Burner orifice assy	2
25	FS-20228055022	Adapter fitting	3
26	FS-03900080	Oven thermopile	2

F5 B; 9 '6 I FB9 F'; 5 G'GMGH9 A

: fcbhVi fbYf' [Ug'gmghYa

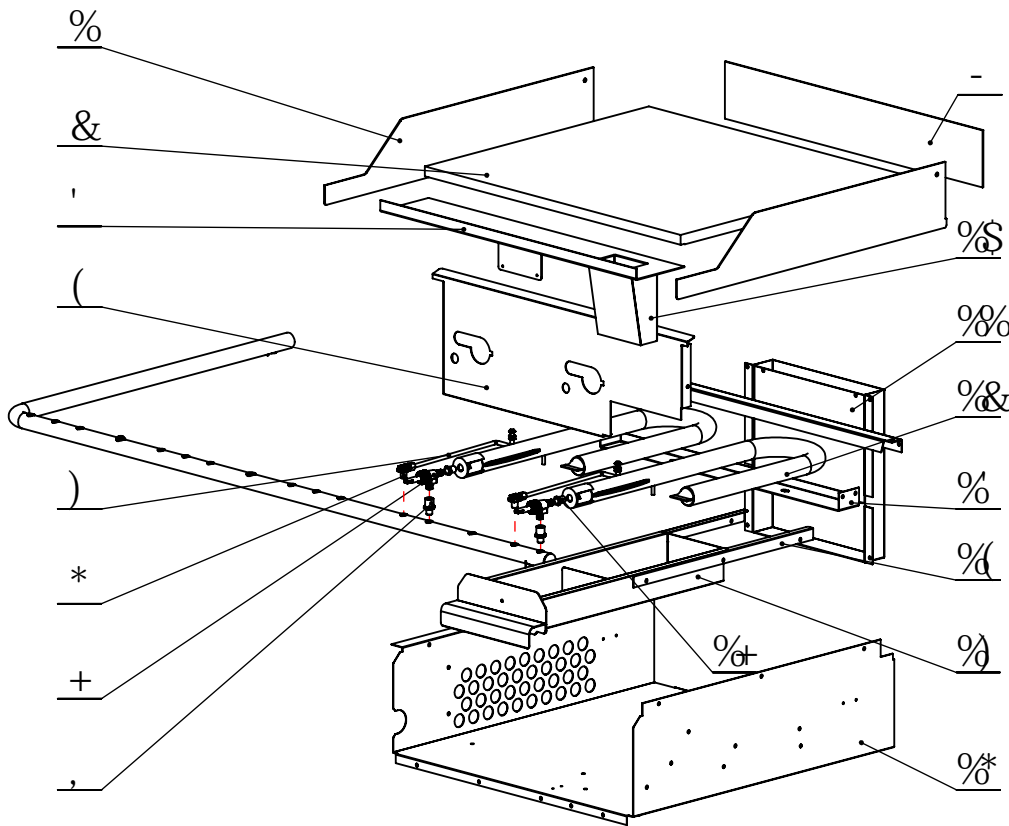


F YUf'Vi fbYf' [Ug'gmghYa



? Ym	DUFhibi a VYf	E ffm	8 YgW]dh]cb
F	ØÜË€GGG€€í J	F€	Ó' } ^! Á ç ç ^ Á € í
G	ØÜË€GGGè €í í €GG	í	Ó ç ç ç ç ^! Á ç ç ^ *
H	UÜÖÖÜ, ~~~~~	í	Ü ^ æ Á ^ } ^! Á æ Á ç à ^
I	ØÜË€GGGè €í í €í	í	U ä ä ^ Á [^ } ç ä ç ^ *
í	SQ Ç Á ç à ^ Á ^ D	F€	À F Á ç ç ç Á ä ä ^
		F€	Á H Š Ú Á ä ä ^
î	ØÜË€GGGí €€H	F€	Ó' } ^!

& (" ; F = 8 8 @ f C B * \$ " F 5 B ; 9 L G M G H 9 A ' 8 9 H 5 = @



? Ym	DUFhbi a VYf	E fim	8 YgW]dhjcb
F		G	Š^ - óä áÁã @Á ã^ Á æ^
G		F	Õäãá ^ Á æ^
H		F	Ø [] óÁ^ &
I		F	Ø [] óÁæ^
Í	Ø Û È G G G Ì Í È Í	F	Ú [æ^ à^ Á
Î	Ø Û È G G G G G Ì	G	Ú ä [ó ç ^ Á Ú Ì
Ï	Ø Û È G G G G G Í J	G	Ó^ } ^ Á ç ^ ^ Á Ú Ì
Ì		G	X ç ^ Á ç ç ç ^
J		F	Óæ & Á æ^
FE		F	Õ ^æ^ Á^ } } ^
FF		F	Ø^ Á
FG	Ø Û È G F H È Ì Ï	G	Ä^ Á ^ } ^
FH		F	Ó^ } ^ Á^]] [] c
FI		G	Õ ^æ^ Á^ æ^ ^ Á^]] [] c
FÍ	Ø Û È G G G Ì Í È Ï	F	Õ ^æ^ Á^ æ^ ^
FÎ		F	Ó [ç { ç } ^ Á ç ç ^
FÏ	Ø Û È G F Í È Ï Ì Á S Q	G	U ç ^ } Á æ^ Á Ì È S Ú
	Ø Û È G F Í È Ï Ì Á S Q	G	U ç ^ } Á æ^ Á Ì H Ú Á Ò

