

* \$ `` F 5 B ; 9 ` K ≠ k ` & (`` 7 < 5 F 6 F C = @ F `
 ` 9 L D @ C 8 9 8 ` J ⇒ 9 K G ` 5 B 8 ` D 5 F H G ` @ G H

60" Range With 24" Charbroiler Frame Detail

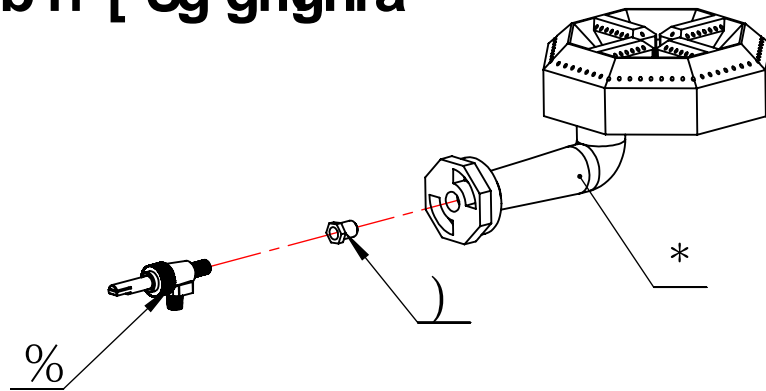
Key	Part number	Designation	Q' ty
1	FS-20228055031	Top shelf	1
2	FS-20228055026	Front deck	1
3	FS-301110405	Knob	6
4	FS-03900267	Oven thermostat knob	2
5	FS-20228055027	Crumb drawer left	1
6	FS-20228055034	Grill drip pan	1
7	FS-100103	36" oven door assy	2
8	FS-302220032	Oven door hinge roller assy	4
9	FS-20228055031	60"-24CB back splash	1
10	FS-20228055032	Front panel for 60"-24CB range	1
11		Mylar for 60-24CB range	1
12	FS-20228055028	Range back support beam 60"	3
13		Charbroiler assy	1
14	FS-400040	Oven shelf bracket-Left	2
	FS-400041	Oven shelf bracket-Right	2
15	FS-400050	Oven rack, for 6 &10 burner use	4
16	FS-4000391	Oven bottom panel	2
17	FS-302090048	6" adjustable leg	6
18	FS-20228055015	Burner plate	2
19	FS-2660003	Caster set, for 60"range, 3w/brake	6
20	FS-20228055017	Leg bolt	24

60" Range With 24" Charbroiler Gas System Detail

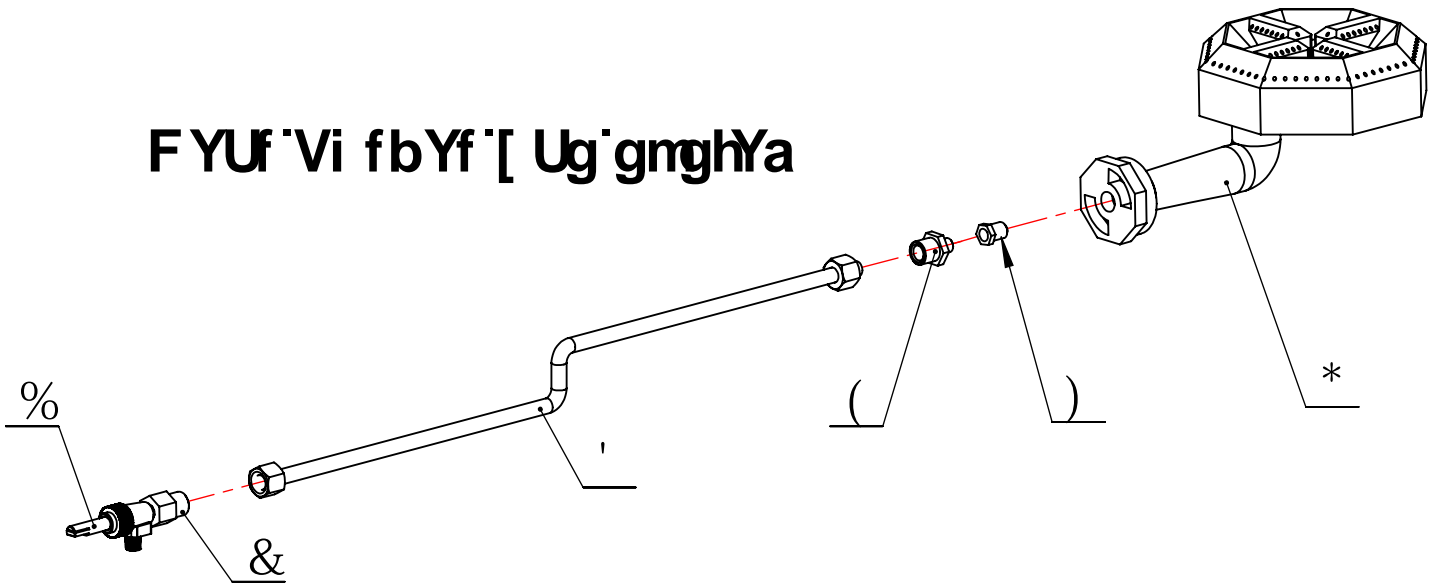
Key	Part number	Designation	Q' ty
1	FS-302250151	Grate	6
2	FS-302250034	Burner	6
3	FS-20228055018	Short pilot tube	3
4	FS-20228055019	Long pilot tube	3
5	FS-302220059	Manual gas valve A18	8
6	FS-302220027	Pilot Valve AP6	3
7	FS-03B00050	Oven temperature control valve	2
8		Oven temperature probe(REF)	2
9	FS-03600125	Oven safety valve	2
10		Charbroiler assy	1
11	FS-302150041 KIT	Orifice #41 NG	6
	FS-3021500520 KIT	Orifice #53 LP	6
12		Orifice mountfitting	3
13	FS-20228055020	Rear burner gas tube	3
14	FS-302130387	"U" burner	2
15	FS-20228055035	Pilot tube	2
16	FS-302150095	Charbroiler orifice	2
17	FS-302220028	Pilot valve AP7	2
18	FS-20228055036	Main gas manifold	1
19	FS-309020070	6" Regulator valve	1
20	FS-302250035	Oven burner	2
21	FS-03510036	Oven pilot bracket	2
22	FS-302150053	Oven orifice #53 LP	2
	FS-3021500381	Oven orifice #38 NG	2
23		Oven burner gas tube	2
24		Burner orifice assy	2
25	FS-20228055022	Adapter fitting	3
26	FS-03900080	Oven thermopile	2

F5 B; 9 '6 I FB9 F'; 5 G'GMGH9 A

: fcbhVi fbYf' [Ug'gmghYa

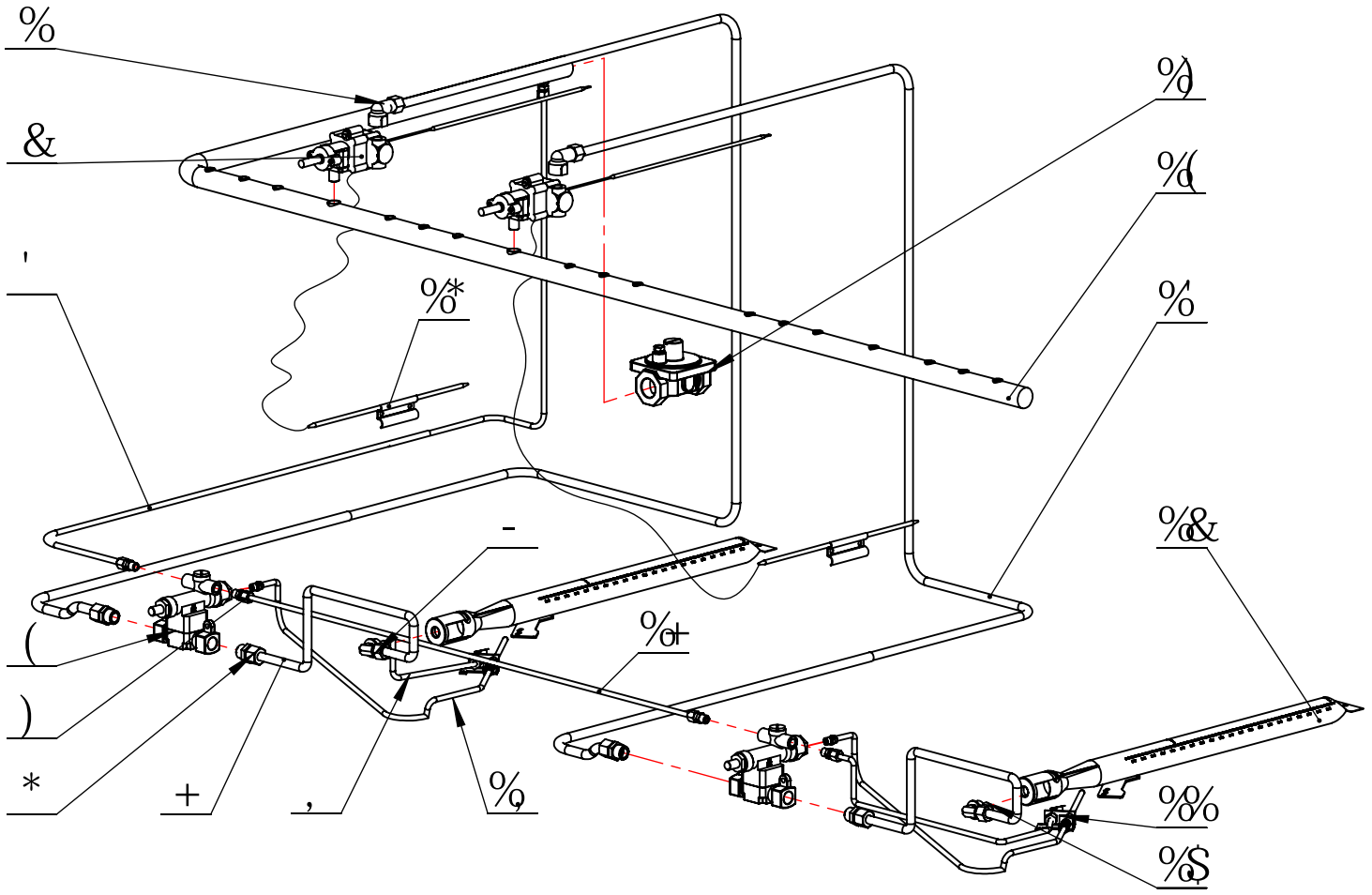


F YUf'Vi fbYf' [Ug'gmghYa



? Ym	DUFhibi a VYf	E ffm	8 YgW]dh]cb
F	ØÜË€GGG€€í J	î	Ó' } ^! Á ç ç ^ Á € Ì
G	ØÜË€GGGè €í í €GG	H	Ó ç ç ç ç ^ Á ç ç ç *
H	UÜÖÖÜ, ~~~~~~	H	Ü ^ æ Á ^ } ^! Á æ Á ç à ^
I	ØÜË€GGGè €í í €í	H	U ä ä ^ Á [^ } ç ç ç ç *
í	SQ Ç Á ç à ^ Á ^ D	î	À F Á ç ç ç ç ç ç ç ç ç ç
		î	À H Á ç ç ç ç ç ç ç ç ç ç
î	ØÜË€GGGí €€H	î	Ó' } ^!

* \$ " F 5 B ; 9 ' K ≠ k ' & (" 7 < 5 F 6 F C = @ F
 CJ 9 B ; 5 G 8 9 H 5 = @



? Ym	DUF hbi a VYf	E fim	8 YgW]dHcb
F	ØÜËGCG Æ Í É €	G	V^{] ^ æ' i^& } d[ççç^ Åãã *
G	ØÜËH ÆÉ €	G	V^{] ^ æ' i^& } d[ççç^
H	ØÜËGCG Æ Í É F	F	Uç^} Å æ Å ~]] ^ Å à ^
I	ØÜËH ÆFG	G	Uç^} Å æ ^ ç Å ççç^
Í		G	Ô[{] i^..ã } Å ^ c
î		G	Ô[{] i^..ã } Å ^ c
ï	UÜÖÜ	G	Uç^} Å ^ i } ^ i Å æ Å à ^
ì	iaj * ^ Å ç } Å à ^ E i a	G	Uç^} Å æ Å à ^
J	ØÜËGCG Æ Í É J	G	Ó i } ^ i Å i ä Å æ ^
FE		G	Uç^} Å i ä Å Å Í H Å Ú
		G	Uç^} Å i ä Å Å H Å Ó
FF		G	Uç^} Å ç i ä Å æ ^ c
FG	ØÜËGCG Æ H Í	G	Ó i } ^ i
FH	ØÜËGCG Æ Í É I	F	Q ç æ ^ Å ç ^
FI	ØÜËGCG Æ Í É GF	F	T ç ç Å æ Å ç ç ç i ä
FÍ	ØÜËH ÆGÉÍ J	F	Ü ^ * ~ æ i
Fî		G	Uç^} Å ^ {] ^ æ' i^ Å i à ^ Ü Ö Ø
Fï	ØÜËGCGGJÉJ ÆH	F	Î É Å ç } Å ç } } ^ & ç } Å à ^
Fì	ØÜËH ÆÉ €	G	Uç^} Å @ i { [& ^] ^