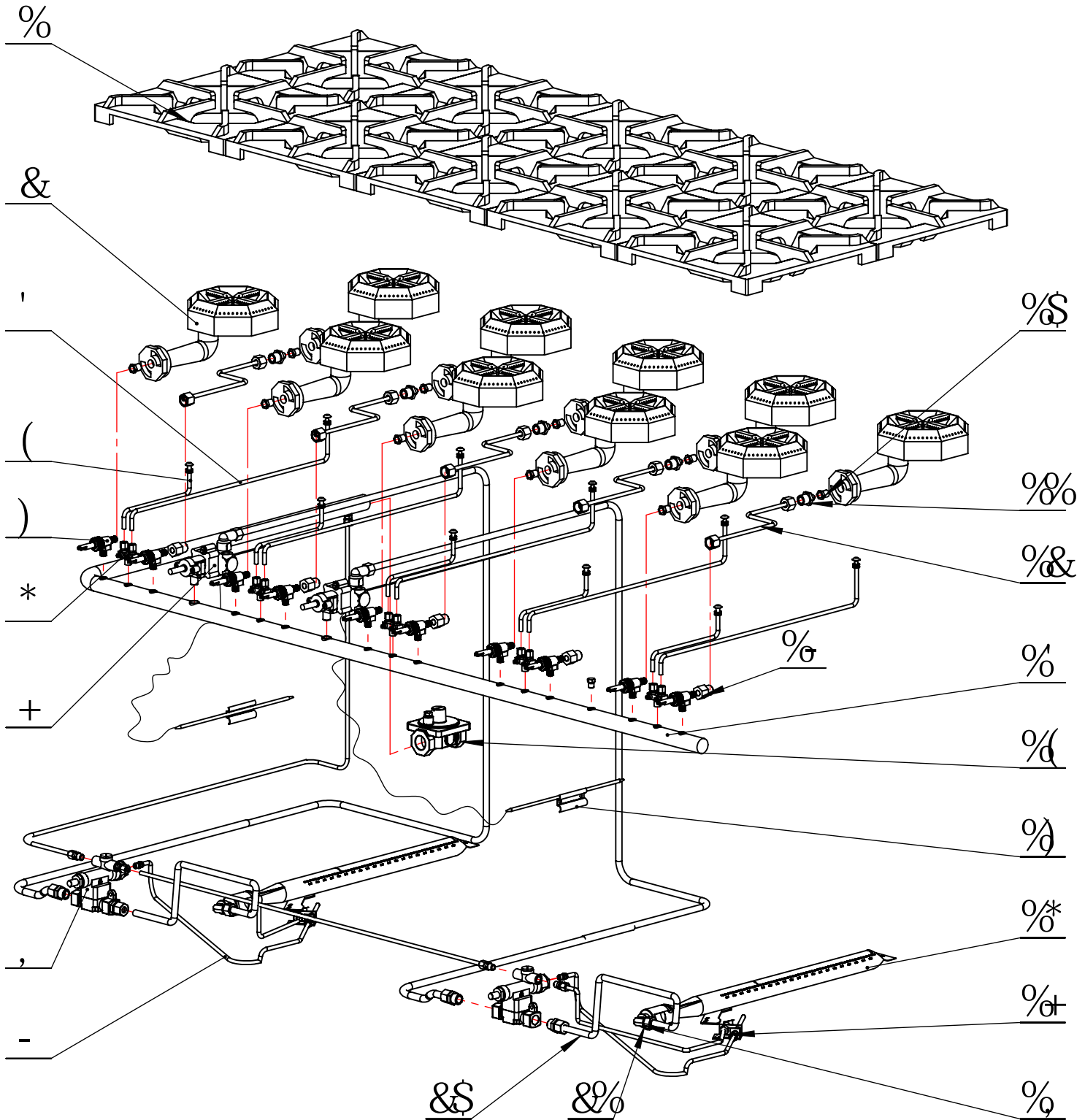


***\$`F5 B; 9`K ≠K`%\$`6 I FB9 FG`
9LD@C898`J=9K G`5 B8`D5 FHG`@GH

60" Range With 10 Burners Frame Detail

Key	Part number	Designation	Q' ty
1	FS-20228055025	Top shelf	1
2	FS-20228055026	Front deck	1
3	FS-301110405	Knob	10
4	FS-03900267	Oven thermostat knob	2
5	FS-20228055027	Crumb drawer left	1
6	FS-100103	36" oven door assy	2
7	FS-302220032	Oven door hinge roller assy	4
8	FS-2660003	Caster set, for 60" range, 3w/brake	6
9	FS-1001060	60" back splash	1
10	FS-20228055028	Range back support beam 60"	3
11	FS-400040	Oven shelf bracket-Left	2
	FS-400041	Oven shelf bracket-Right	2
12	FS-20228055029	Crumb drawer right	1
13	FS-400050	Oven rack, for 6 & 10 burner use	4
14	FS-4000391	Oven bottom panel, 36"	2
15	FS-302090048	6" adjustable leg	6
16	FS-20228055015	Burner plate	2
17	FS-20228055017	Leg bolt	24
18	FS-20228062003	Front panel for 10B range	1
19		Mylar for 10B range	1

* \$ " F 5 B ; 9 ' K ≠ k ' % \$ ' 6 | F B 9 F G ' ; 5 G ' G M G H 9 A ' 8 9 H 5 = @

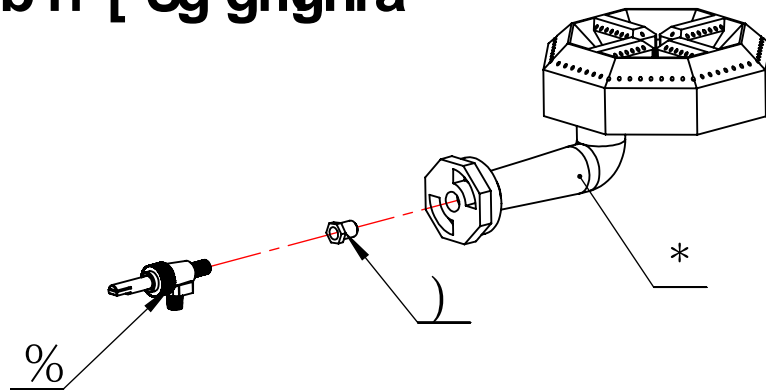


60" Range With 10 Burner Gas System Detail

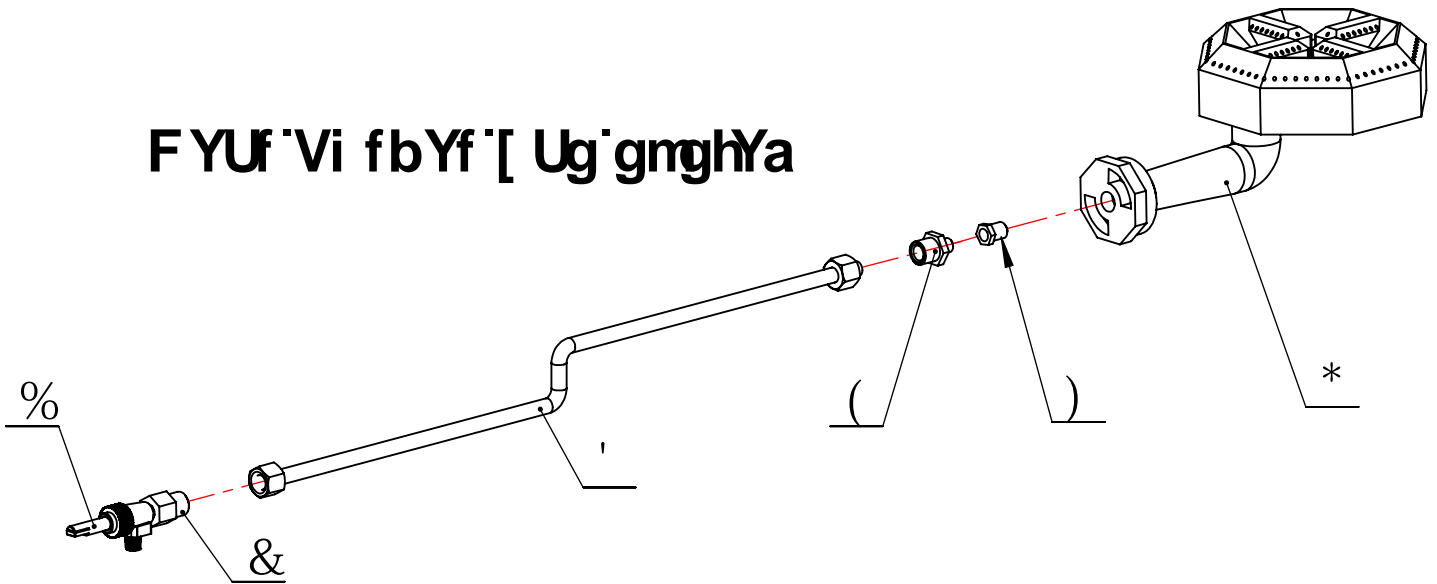
Key	Part number	Designation	Q' ty
1	FS-302250151	Grate	10
2	FS-302250034	Burner	10
3	FS-20228055018	Short pilot tube	5
4	FS-20228055019	Long pilot tube	5
5	FS-302220059	Manual gas valve A18	10
6	FS-302220027	Pilot Valve AP6	5
7	FS-03600125	Oven safety valve	2
8	FS-03B00050	Oven temperature control valve	2
9	FS-03900080	Oven thermopile	2
10	FS-302150041 KIT	Orifice #41 NG	10
	FS-3021500520 KIT	Orifice #53 LP	10
11		Orifice mountfitting	5
12	FS-20228055020	Rear burner gas tube	5
13	FS-20228055030	Main gas manifold	1
14	FS-309020070	6" Regulator valve	1
15		Oven temperature probe(REF)	2
16	FS-302250035	Oven burner	2
17	FS-03510036	Oven pilot bracket	2
18	FS-302150053	Oven orifice #53 LP	2
	FS-3021500381	Oven orifice #38 NG	2
19	FS-20228055022	Adapter fitting	5
20		Oven burner gas tube	2
21		Burner orifice assy	2

F5 B; 9 '6 I FB9 F'; 5 G'GMGH9 A

: fcbhVi fbYf' [Ug'gmghYa

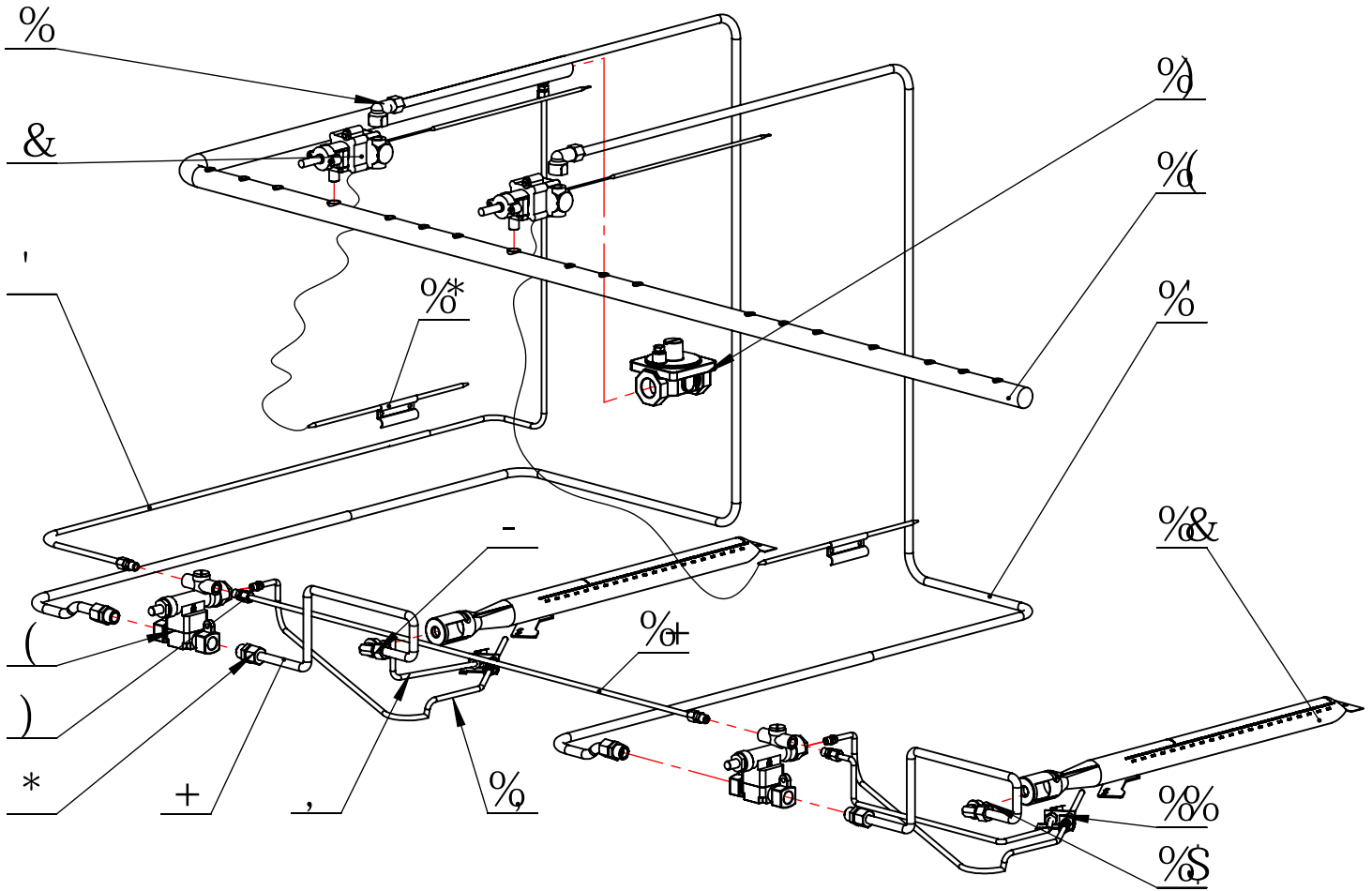


F YUf'Vi fbYf' [Ug'gmghYa



? Ym	DUFhibi a VYf	E ffm	8 YgW]dh]cb
F	ØÜËHEGGG€É J	F€	Ó' } ^! Á ç ç ^ Á Fì
G	ØÜËEGGè €í í €GG	í	Ó ç ç ç ^! Á ç ç ^ *
H	UÜÖÖÜ, ~~~~~	í	Ü ^ æ Á ^ } ^! Á æ Á ç à ^
I	ØÜËEGGí €í í €í	í	U ä ä ^ Á [^ } ç ä ç ^ *
í	SQ FÁMÓÓÁÜÖVD	F€	Àí FÁ ç ç ç ç ä ä ^
		F€	Áí HÁŠÚÁ ä ä ^
î	ØÜËHEGGí €€H	F€	Ó' } ^!

* \$ F5 B; 9 K ≠ k % \$ 6 I F B 9 F G
 C J 9 B; 5 G 8 9 H 5 = @



? Ym	DUFhbi a VYf	E fim	8 YgW]dhcb
F	ØÜËGCGÈ ÉÍÉÍ€	G	V^{] ^ æ̃ ^& } d[ççç^ Áãã *
G	ØÜËHÌ €€É€	G	V^{] ^ æ̃ ^& } d[ççç^
H	ØÜËGCGÈ ÉÍÉÍF	F	Uç^} Áæ̃ Á~]] Áç à^
I	ØÜËHÌ €€FG	G	Uç^} Áæ̃ c Áççç^
í		G	Ô[{] ^•• q̃ } Á~ c
î		G	Ô[{] ^•• q̃ } Á~ c
ï	UÜÖÜ	G	Uç^} Á~ } ^ Áæ̃ Áç à^
ì	iaj * ^ Á ç^} Áç à^ É a a	G	Uç^} Áæ̃ Áç à^
J	7o	G	Ó } ^ Á äã^ Áæ̃ • ^
FE		G	Uç^} Á äã^ ÁÍ HÁÚ
		G	Uç^} Á äã^ ÁHÌ Á Õ Ç Á S Q D
FF		G	Uç^} Á ä òã äã^ c
FG	ØÜËGCGÈ €€HÍ	G	Ó } ^
FH	ØÜËGCGÈ ÉÍÉÍI	F	Qçã^ Á q̃ ^
FI	ØÜËGCGÈ ÉÍÉÍGF	F	T çã^ Áæ̃ Á çã^ ä ä
FÍ	ØÜËHÌ €€ÉÍ J	F	Ü^* ~ çã
FÎ		G	Uç^} Áç {] ^ æ̃ ^ Á] à^ Ü Ö Ø D
FÏ	ØÜË€€GGJ€JÌ €€H	F	Î € Ä çã^ * ^ Á ç^} Á & } } ^ & çã^ Áç à^
FÌ	ØÜËHÌ €€ÉÍ €	G	Uç^} Áç @ { [& ~] ^