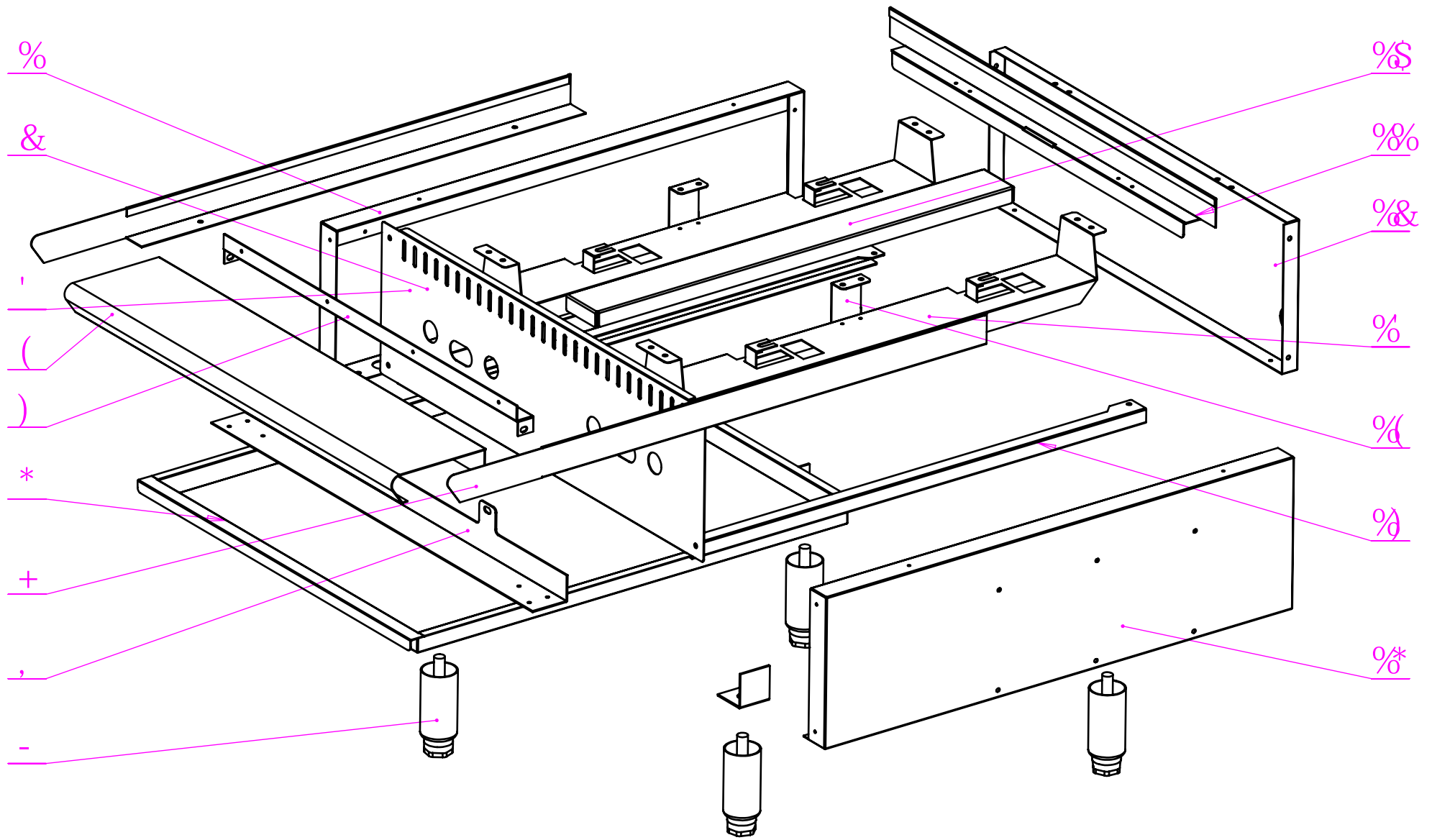




; 5 G'7 CI BH9 FHCD' < CHD @ 5 H9 ' : F5 A9 '8 9 H5 = @  
..... f& ( "' < CHD @ 5 H9 ' G < CK BL



; 5 G'7 CI BH9 FHCD' < CH'D @ 5 H9

### 12" FRAME DETAIL

Key	Part number	Designation	Q'ty
1		Side plate	2
2	FS-20228060001	Front panel for 2B hotplate	1
3		Mylar for 2B hotplate	1
4		Table plate	1
5		Front support plate	1
6	FS-20228053007	Drip pan for 2B hotplate	1
7		Table side plate	2
8		Manifold pipe support plate	1
9	FS-302090047	4" adjustable leg	4
10		Hot plate burner support plate	0
11		Back plate	1
12		Rear panel	1
13		Pilot support plate	1
14		Orifice plate	1
15		Drip tray	2
16		Leg angle	4

### 24" FRAME DETAIL

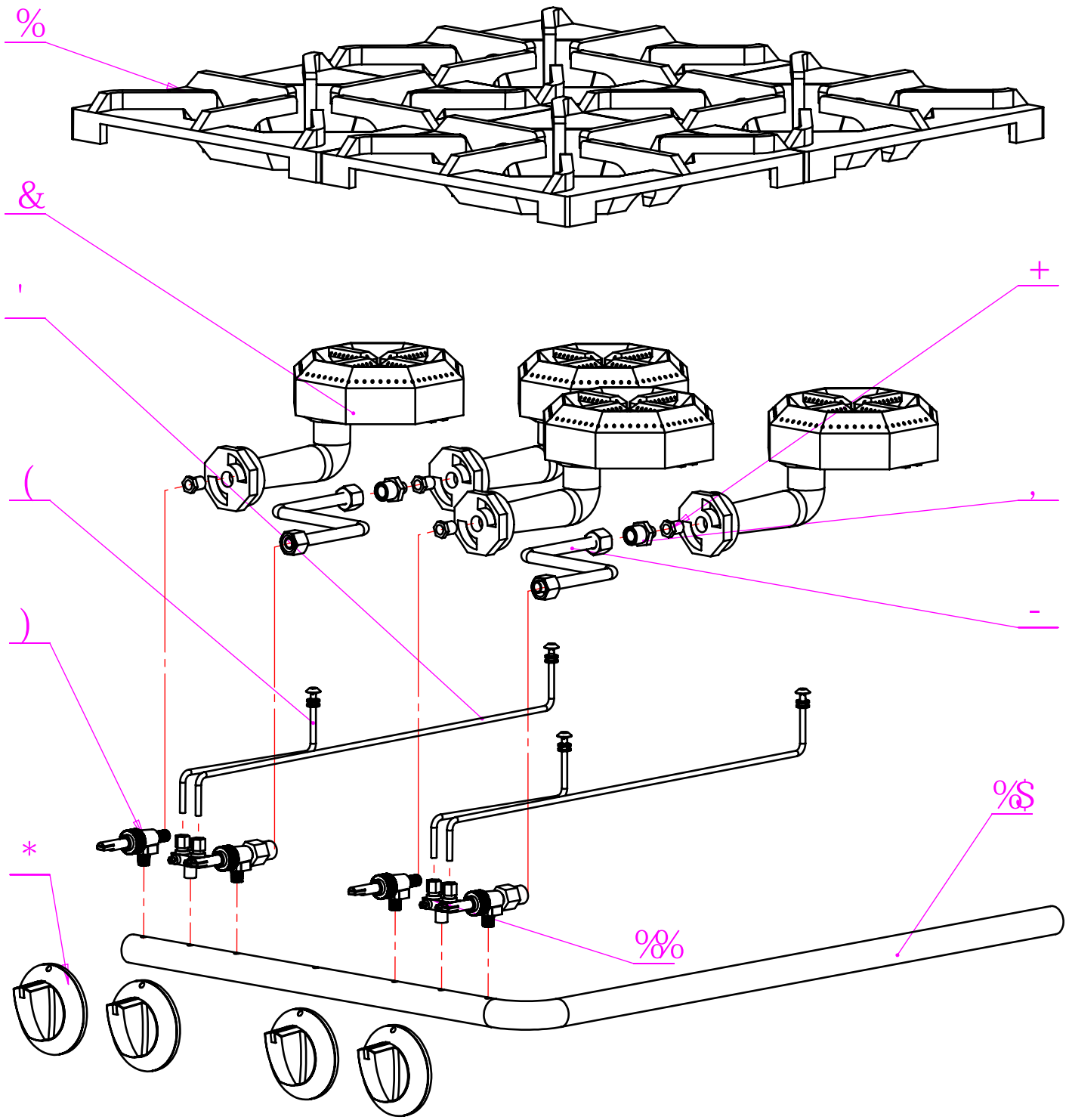
Key	Part number	Designation	Q'ty
1		Side plate	2
2	FS-20228061001	Front panel for 4B hotplate	1
3	FS-303123914	Mylar for 4B hotplate	1
4		Table plate	1
5		Front support plate	1
6	FS-20228054015	Drip pan for 4B hotplate	1
7		Table side plate	2
8		Manifold pipe support plate	1
9	FS-302090047	4" adjustable leg	4
10		Hot plate burner support plate	1
11		Back plate	1
12		Rear panel	1
13		Pilot support plate	2
14		Orifice plate	2
15		Drip tray	2
16		Leg angle	4

; 5 G'7 CI BH9 FHCD' < CH'D @ 5 H9

### HP36 FRAME DETAIL

Key	Part number	Designation	Q'ty
1		Side plate	2
2	FS-20228062001	Front panel for 6B hotplate	1
3		Mylar for 6B hotplate	1
4		Table plate	1
5		Front support plate	1
6	FS-20228055007	Drip pan for 6B hotplate	1
7		Table side plate	2
8		Manifold pipe support plate	1
9	FS-302090047	4" adjustable leg	4
10		Hot plate burner support plate	1
11		Table back plate	1
12		Rear panel	1
13		Pilot support plate	3
14		Orifice plate	3
15		Drip tray	2
16		Leg angle	4

.....; 5 G'7 CI BH9 FHCD'  
" < CH'D @ 5 H9 ; 5 G' GMGH9 A '8 9 H5 = @  
..... f& (" < CHD @ 5 H9 ' G < CK BL



**; 5 G 7 CI BH9 FHCD < CH'D @ 5 H9**

### 12" GAS SYSTEM DETAIL

Key	Part number	Designation	Q'ty
1	FS-302250151	Grate for hotplate	2
2	FS-302250034	Burner for hotplate	2
3	FS-20228055019	Long pilot tube	1
4	FS-20228055018	Short pilot tube	1
5	FS-302220059	Manual gas valve A18	2
6	FS-301110405	Knob	2
7	FS-302150107 KIT	#43 Natural orifice, hotplate	2
	FS-302150076 KIT	#53 LP orifice, hotplate	2
8	FS-302150061	Orifice mountfitting	1
9	FS-20228055020	Rear burner gas tube	1
10	FS-20229097025	Main gas manifold	1
11	FS-302220027	Pilot Valve AP6 , for Hotplate	1

### 24" GAS SYSTEM DETAIL

Key	Part number	Designation	Q'ty
1	FS-302250151	Grate for hotplate	4
2	FS-302250034	Burner for hotplate	4
3	FS-20228055019	Long pilot tube	2
4	FS-20228055018	Short pilot tube	2
5	FS-302220059	Manual gas valve A18	4
6	FS-301110405	Knob	4
7	FS-302150107 KIT	#43 Natural orifice, hotplate	4
	FS-302150076 KIT	#53 LP orifice, hotplate	4
8	FS-302150061	Orifice mountfitting	2
9	FS-20228055020	Rear burner gas tube	2
10	FS-20229097026	Main gas manifold	1
11	FS-302220027	Pilot Valve AP6 , for Hotplate	2

### 36" GAS SYSTEM DETAIL

Key	Part number	Designation	Q'ty
1	FS-302250151	Grate for hotplate	6
2	FS-302250034	Burner for hotplate	6
3	FS-20228055019	Long pilot tube	3
4	FS-20228055018	Short pilot tube	3
5	FS-302220059	Manual gas valve A18	6
6	FS-301110405	Knob	6
7	FS-302150107 KIT	#43 Natural orifice, hotplate	6
	FS-302150076 KIT	#53 LP orifice, hotplate	6
8	FS-302150061	Orifice mountfitting	3
9	FS-20228055020	Rear burner gas tube	3
10	FS-20229097027	Main gas manifold	1
11	FS-302220027	Pilot Valve AP6 , for Hotplate	3