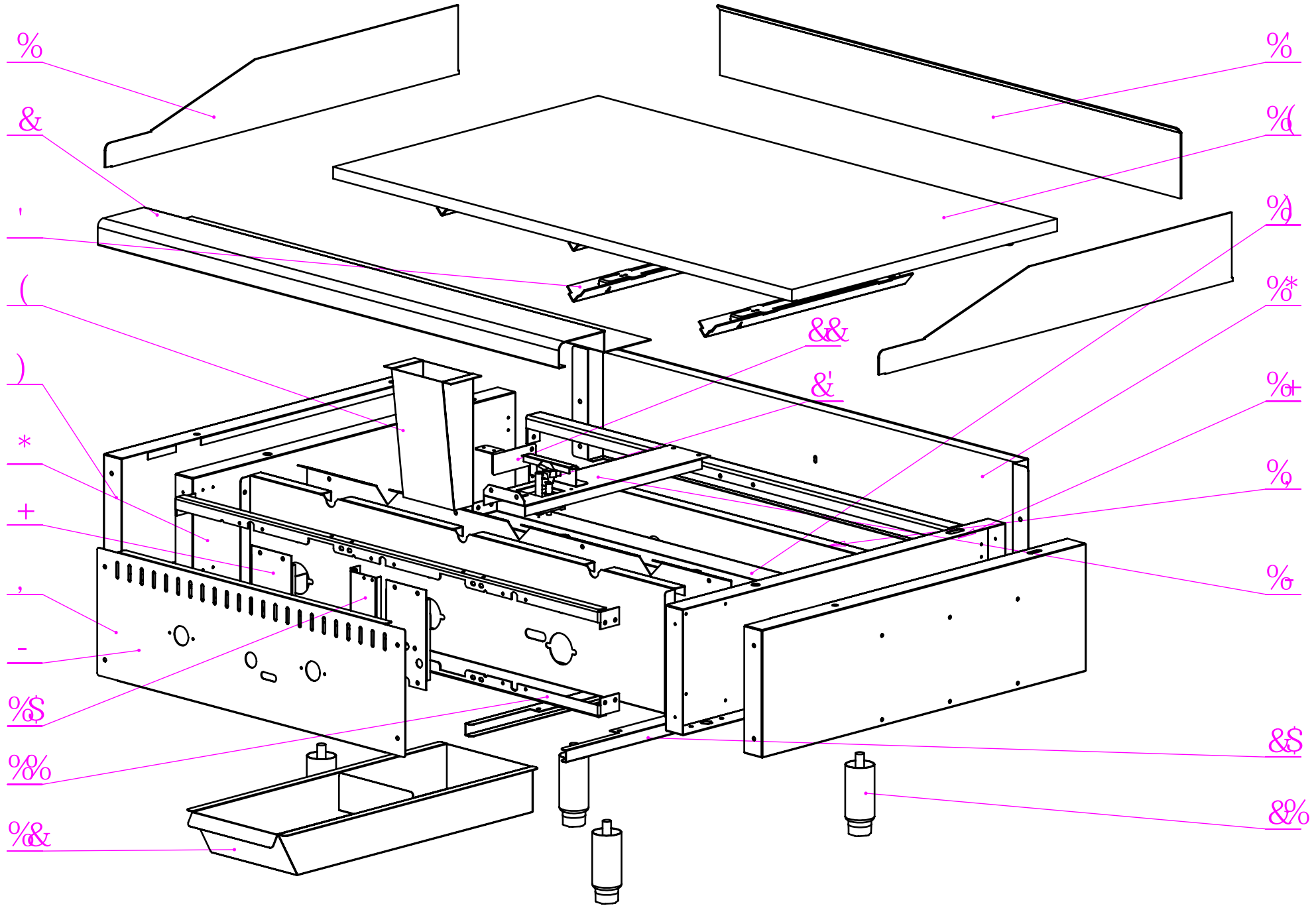


.....; 5 G'7 CI BH9FHCD'H<9FACGH5 H'; F=88 @G'  
.....& ("!\* \$"9LD@C898 'J=9K G'5 B8 'D5 FHG' @GH'

.....; 5 G'H<9 FACGH5 H'; F=88 @' : F5 A9 '89 H5 =@& "'!\* \$"



## G24T FRAME DETAIL

Key	Part number	Designation	Q'ty
1		Apron side plate	2
2		Temperature-sensing probe fixing plate	2
3		Table plate	1
4		Grease chute	1
5		Side plate	2
6		Side plate inner seal	2
7		Thermostat fixing plate	2
8		Mylar,24"T-stat griddle	1
9	FS-20229105001	Control panel,24"T-stat griddle	1
10		Safety valve fixing plate	1
11		Intake pipe support plate	1
12	FS-20229097021	Grease drawer	1
13		Apron rear plate	1
14		Temperature-controlled grilled plate	1
15		Burner support plate	1
16		Flue board	1
17		Rear beam	1
18		Rear panel	1
19		Fire support board	1
20	FS-20229097022-2	Grease drawer guides	2
21	FS-302090047	4" adjustable leg	4

## G36T FRAME DETAIL

Key	Part number	Designation	Q'ty
1		Apron side plate	2
2		Temperature-sensing probe fixing plate	3
3		Table plate	1
4		Grease chute	1
5		Side plate	2
6		Side plate inner seal	2
7		Thermostat fixing plate	3
8		Mylar,36"T-stat griddle	1
9	FS-20229106001	Control panel,36"T-stat griddle	1
10		Safety valve fixing plate	2
11		Intake pipe support plate	1
12	FS-20229097021	Grease drawer	1
13		Apron rear plate	1
14		Temperature-controlled grilled plate	1
15		Burner support plate	1
16		Flue board	1
17		Rear beam	1
18		Rear panel	1
19		Fire support board	2
20	FS-20229097022-2	Grease drawer guides	2
21	FS-302090047	4" adjustable leg	4

## G48T FRAME DETAIL

Key	Part number	Designation	Q'ty
1		Apron side plate	2
2		Temperature-sensing probe fixing plate	4
3		Table plate	1
4		Grease chute	1
5		Side plate	2
6		Side plate inner seal	2
7		Thermostat fixing plate	4
8		Mylar,48"T-stat griddle	1
9	FS-20229107001	Control panel,48"T-stat griddle	1
10		Safety valve fixing plate	2
11		Intake pipe support plate	1
12	FS-20229097021	Grease drawer	1
13		Apron rear plate	1
14		Temperature-controlled grilled plate	1
15		Burner support plate	1
16		Flue board	1
17		Rear beam	1
18		Rear panel	1
19		Fire support board	2
20	FS-20229097022-2	Grease drawer guides	2
21	FS-302090047	4" adjustable leg	4

## G60T FRAME DETAIL

Key	Part number	Designation	Q'ty
1		Apron side plate	2
2		Temperature-sensing probe fixing plate	5
3		Table plate	1
4		Grease chute	2
5		Side plate	2
6		Side plate inner seal	2
7		Thermostat fixing plate	5
8		Mylar,60"T-stat griddle	1
9	FS-20229108001	Control panel,60"T-stat griddle	1
10		Safety valve fixing plate	3
11		Intake pipe support plate	1
12	FS-20229097021	Grease drawer	2
13		Apron rear plate	1
14		Temperature-controlled grilled plate	1
15		Burner support plate	1
16		Flue board	1
17		Rear beam	1
18		Rear panel	1
19		Fire support board	3
20	FS-20229097022-2	Grease drawer guides	4
21	FS-302090047	4" adjustable leg	6



## G24T GAS SYSTEM DETAIL

Key	Part number	Designation	Q' ty
1	FS-302130387	"U"shape pipe burner for Charbroiler & Griddle	2
2	FS-50240000	Thermostat	2
3	FS-301110425	T Stat Griddle metal knob	2
4	FS-15AB6D	Safety valve	1
5	FS-20229098029	Main intake pipe	1
6	FS-309020068	Regulator	1
7	ORDER T stat griddle tube kit FS-300TGGT	Left thick gas tube	1
8		Elbow fitting	2
9		Right thin gas tube	1
12		Right thick gas tube	1
13		Left thin gas tube	0
14	ORDER T stat griddle fitting kit FS-300TGBF	Safety valve incet fitting	1
15		Safety valve three-way fitting	1
16		Orifice fitting	2
17		NP orifice,34#	2
10	ORDER T stat griddle pilot kit(single) FS-300TGPA	Pilot tube assembly	1
11		Thermocouple	1
18		Pilot bracket assembly	1
17	FS-302150100 KIT	LP orifice,52#	2

## G36T GAS SYSTEM DETAIL

Key	Part number	Designation	Q' ty
1	FS-302130387	"U"shape pipe burner for Charbroiler & Griddle	3
2	FS-50240000	Thermostat	3
3	FS-301110425	T Stat Griddle metal knob	3
4	FS-15AB6D	Safety valve	2
5	FS-20229098029	Main intake pipe	1
6	FS-309020068	Regulator	1
7	ORDER T stat griddle tube kit FS-300TGGT	Left thick gas tube	1
8		Elbow fitting	3
9		Right thin gas tube	1
12		Right thick gas tube	2
13		Left thin gas tube	1
14	ORDER T stat griddle fitting kit FS-300TGBF	Safety valve incet fitting	2
15		Safety valve three-way fitting	2
16		Orifice fitting	3
17		NP orifice,34#	3
10	ORDER T stat griddle pilot kit(single) FS-300TGPA	Pilot tube assembly	2
11		Thermocouple	2
18		Pilot bracket assembly	2
17	FS-302150100 KIT	LP orifice,52#	3

## G48T GAS SYSTEM DETAIL

Key	Part number	Designation	Q' ty
1	FS-302130387	"U"shape pipe burner for Charbroiler & Griddle	4
2	FS-50240000	Thermostat	4
3	FS-301110425	T Stat Griddle metal knob	4
4	FS-15AB6D	Safety vlave	2
5	FS-20229098029	Main intake pipe	1
6	FS-309020068	Regulator	1
7	ORDER T stat griddle tube kit FS-300TGGT	Left thick gas tube	2
8		Elbow fitting	4
9		Right thin gas tube	1
12		Right thick gas tube	2
13		Left thin gas tube	1
14	ORDER T stat griddle fitting kit FS-300TGPF	Safety valve incet fitting	2
15		Safety valve three-way fitting	2
16		Orifice fitting	4
17		NP orifice,34#	4
10	ORDER T stat griddle pilot kit(single) FS-300TGPA	Pilot tube assembly	2
11		Thermocouple	2
18		Pilot bracket assembly	2
17	FS-302150100 KIT	LP orifice,52#	4

## G60T GAS SYSTEM DETAIL

Key	Part number	Designation	Q' ty
1	FS-302130387	"U"shape pipe burner for Charbroiler & Griddle	5
2	FS-50240000	Thermostat	5
3	FS-301110425	T Stat Griddle metal knob	5
4	FS-15AB6D	Safety vlave	3
5	FS-20229098029	Main intake pipe	1
6	FS-309020068	Regulator	1
7	ORDER T stat griddle tube kit FS-300TGGT	Left thick gas tube	2
8		Elbow fitting	5
9		Right thin gas tube	2
12		Right thick gas tube	3
13		Left thin gas tube	1
14	ORDER T stat griddle fitting kit FS-300TGPF	Safety valve incet fitting	3
15		Safety valve three-way fitting	3
16		Orifice fitting	5
17		NP orifice,34#	5
10	ORDER T stat griddle pilot kit(single) FS-300TGPA	Pilot tube assembly	3
11		Thermocouple	3
18		Pilot bracket assembly	3
17	FS-302150100 KIT	LP orifice,52#	5