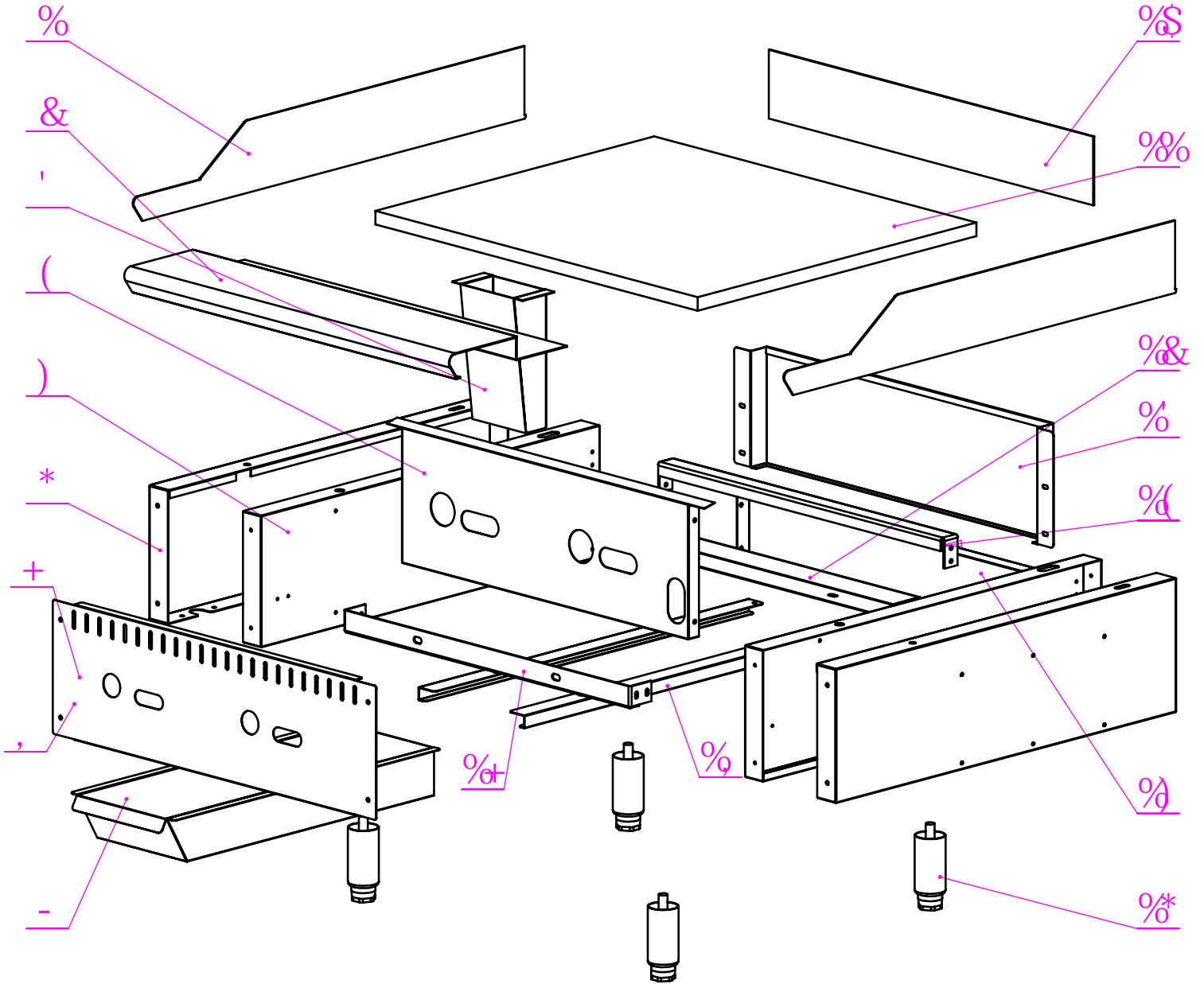


....; 5 G'7 CI BH9FHCD'A5 BI 5 @; F=88 @9 G'
& ""!* \$""9LD@C898 'J=9K G'5 B8 'D5 FHG' @GH

; 5 G; F=88 @ : F5 A9 '89 H5 =@& ("!* \$"



G24M FRAME DETAIL

Key	Part number	Designation	Q'ty
1		Apron side plate	2
2		Table plate	1
3		Grease chute	1
4		Front baffle	1
5		Side plate inner seal	2
6		Side plate	2
7	FS-20229102001	Front panel for 24" griddle	1
8		Mylar for 24" griddle	1
9	FS-20229097020	Grease drawer griddle	1
10		Apron rear plate	1
11		Strip plate	1
12		Griddle plate	1
13		Flue board	1
14		Rear support beam	1
15		Rear baffle	1
16	FS-302090047	4" adjustable leg	4
17		Intake pipe support plate	1
18	FS-20229097022-2	Grease drawer guides	2

G36M FRAME DETAIL

Key	Part number	Designation	Q'ty
1		Apron side plate	2
2		Table plate	1
3		Grease chute	1
4		Front baffle	1
5		Side plate inner seal	2
6		Side plate	2
7	FS-20229102001	Front panel for 24" griddle	1
8		Mylar for 36" griddle	1
9	FS-20229097020	Grease drawer griddle	1
10		Apron rear plate	1
11		Strip plate	1
12		Griddle plate	1
13		Flue board	1
14		Rear support beam	1
15		Rear baffle	1
16	FS-302090047	4" adjustable leg	4
17		Intake pipe support plate	1
18	FS-20229097022-2	Grease drawer guides	2

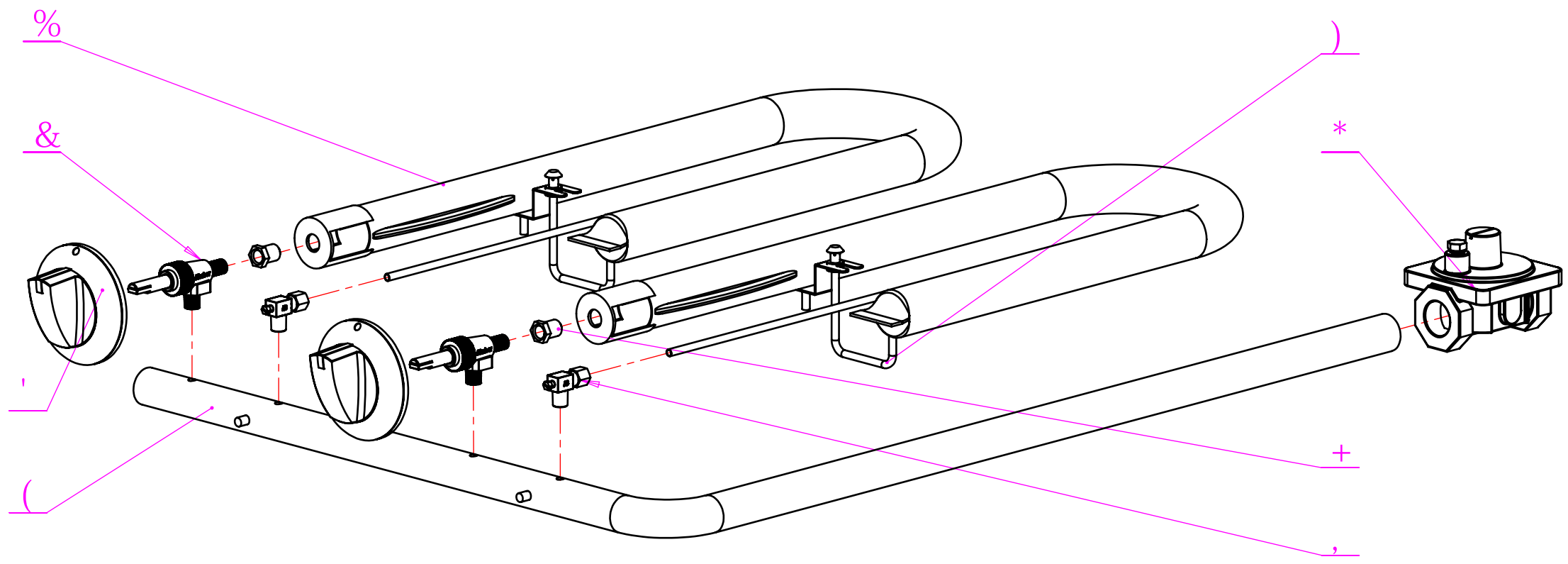
G48M FRAME DETAIL

Key	Part number	Designation	Q'ty
1		Apron side plate	2
2		Table plate	1
3		Grease drawer	1
4		Front baffle	1
5		Side plate inner seal	2
6		Side plate	2
7	FS-20229102001	Front panel for 24" griddle	1
8		Mylar for 48" griddle	1
9	FS-20229097020	Grease drawer griddle	1
10		Apron rear plate	1
11		Strip plate	1
12		Griddle plate	1
13		Flue board	1
14		Rear support beam	1
15		Rear baffle	1
16	FS-302090047	4" adjustable leg	4
17		Intake pipe support plate	1
18	FS-20229097022-2	Grease drawer guides	2

G60M FRAME DETAIL

Key	Part number	Designation	Q'ty
1		Apron side plate	2
2		Table plate	1
3		Grease drawer	2
4		Front baffle	1
5		Side plate inner seal	2
6		Side plate	2
7	FS-20229102001	Front panel for 24" griddle	1
8		Mylar for 60" griddle	1
9	FS-20229097020	Grease drawer griddle	2
10		Apron rear plate	1
11		Strip plate	1
12		Burner support plate	1
13		Flue board	1
14		Rear support beam	1
15		Rear baffle	1
16	FS-302090047	4" adjustable leg	6
17		Intake pipe support plate	1
18	FS-20229097022-2	Grease drawer guides	4

.....; 5 G'GMGH9 A '8 9 H5 =@: CF '&('"; F=8 8 @
fCH<9 F 'G=N9 G'<5 J9 'G=A=@5 F'GHFI 7 HI F9 '5 B8 'D5 FHGL



G24-M GAS SYSTEM DETAIL

Key	Part number	Designation	Q'ty
1	FS-302130387	"U"shape pipe burner for Charbroiler & Griddle	2
2	FS-302220059	Manual gas valve A18	2
3	FS-301110405	Knob	2
4	FS-20229097021	Griddle main intake pipe	1
5	FS-20228055035	Pilot tube for Charbroiler & Griddle	2
6	FS-309020068	Regulator	1
7	FS-302150097 KIT	#39 Natural orifice for Griddle	2
	FS-302150098 KIT	#50 LP orifice for Griddle	2
8	FS-302220027	Pilot Valve AP6 , for Hotplate	2

G36-M GAS SYSTEM DETAIL

Key	Part number	Designation	Q'ty
1	FS-302130387	"U"shape pipe burner for Charbroiler & Griddle	3
2	FS-302220059	Manual gas valve A18	3
3	FS-301110405	Knob	3
4	FS-20229097021	Griddle main intake pipe	1
5	FS-20228055035	Pilot tube for Charbroiler & Griddle	3
6	FS-309020068	Regulator	1
7	FS-302150097 KIT	#39 Natural orifice for Griddle	3
	FS-302150098 KIT	#50 LP orifice for Griddle	3
8	FS-302220027	Pilot Valve AP6 , for Hotplate	3

G48-M GAS SYSTEM DETAIL

Key	Part number	Designation	Q'ty
1	FS-302130387	"U"shape pipe burner for Charbroiler & Griddle	4
2	FS-302220059	Manual gas valve A18	4
3	FS-301110405	Knob	4
4	FS-20229097021	Griddle main intake pipe	1
5	FS-20228055035	Pilot tube for Charbroiler & Griddle	4
6	FS-309020068	Regulator	1
7	FS-302150097 KIT	#39 Natural orifice for Griddle	4
	FS-302150098 KIT	#50 LP orifice for Griddle	4
8	FS-302220027	Pilot Valve AP6 , for Hotplate	4

G60-M GAS SYSTEM DETAIL

Key	Part number	Designation	Q'ty
1	FS-302130387	"U"shape pipe burner for Charbroiler & Griddle	5
2	FS-302220059	Manual gas valve A18	5
3	FS-301110405	Knob	5
4	FS-20229097021	Griddle main intake pipe	1
5	FS-20228055035	Pilot tube for Charbroiler & Griddle	5
6	FS-309020068	Regulator	1
7	FS-302150097 KIT	#39 Natural orifice for Griddle	5
	FS-302150098 KIT	#50 LP orifice for Griddle	5
8	FS-302220027	Pilot Valve AP6 , for Hotplate	5