

.....; 5 G'7 CI BH9 FHCD'7 <5 F6 FC=@9 F
& ("!'(, "'9LD@C898 'J=9K G'5 B8 'D5 FHG' @GH

; 5 G 7 C I B H 9 F H C D 7 < 5 F 6 F C = @ F

24" FRAME DETAIL

Key	Part number	Designation	Q'ty
1		Apron side plate	2
2		Table plate	1
3		Front baffle	1
4		Side plate	2
5		Side plate inner seal	2
6	FS-20232091001	Front panel for 24" charbroiler	1
7		Mylar for 24" charbroiler	1
8	FS-20232089019	Drop pan for 24 charbrolier	1
9	FS-302090047	4" adjustable leg	4
10	FS-20232089015	Grate bracket for 24 charbroiler	1
11		Apron rear plate	1
12	FS-302250147	Grate for charbroiler	4
13	FS-200229098002	Radiant B	2
14	FS-200229098001	Radiant A	4
15		Rear panel	1
16		Burner support plate	1
17		Intake pipe support plate	1
18		Drip pan guides	2
19		Apron front plate	1

36" FRAME DETAIL

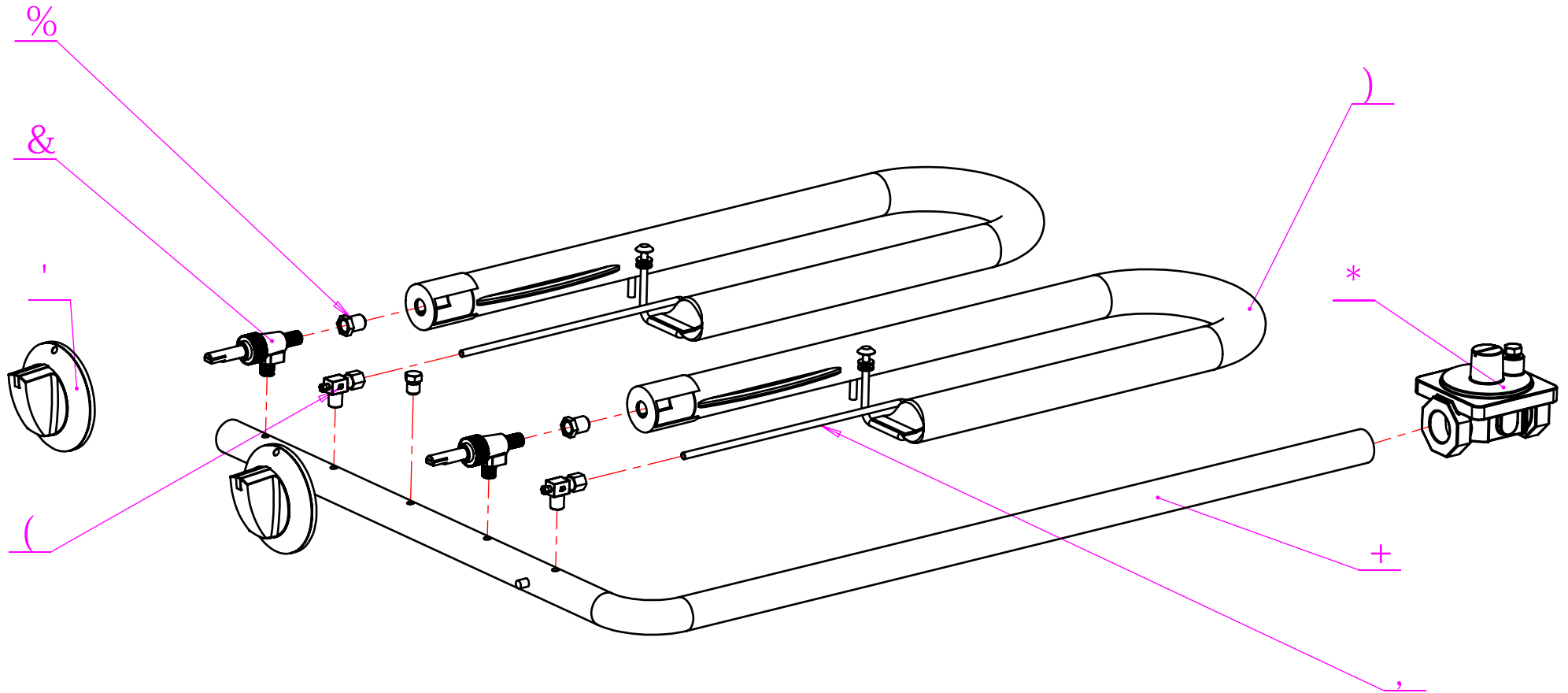
Key	Part number	Designation	Q'ty
1		Apron side plate	2
2		Table plate	1
3		Front baffle	1
4		Side plate	2
5		Side plate inner seal	2
6	FS-20232092001	Front panel for 24" charbroiler	1
7		Mylar for 36" charbroiler	1
8	FS-20232090011	Drop pan for 24 charbrolier	1
9	FS-302090047	4" adjustable leg	4
10	FS-20232090009	Grate bracket for 24 charbroiler	1
11		Apron rear plate	1
12	FS-302250147	Grate for charbroiler	6
13	FS-200229098002	Radiant B	3
14	FS-200229098001	Radiant A	6
15		Rear panel	1
16		Burner support plate	1
17		Intake pipe support plate	1
18		Drip pan guides	2
19		Apron front plate	1

; 5 G'7 CI BH9 FHCD'7 <5 F6 FC=@9 F

48" FRAME DETAIL

Key	Part number	Designation	Q'ty
1		Apron side plate	2
2		Table plate	1
3		Front baffle	1
4		Side plate	2
5		Side plate inner seal	2
6	FS-202320930001	Front panel for 24" charbroiler	1
7		Mylar for 48" charbroiler	1
8	FS-20232094011	Drop pan for 24 charbrolier	1
9	FS-302090047	4" adjustable leg	4
10	FS-20232090009	Grate bracket for 24 charbroiler	1
11		Apron rear plate	1
12	FS-302250147	Grate for charbroiler	8
13	FS-200229098002	Radiant B	4
14	FS-200229098001	Radiant A	8
15		Rear panel	1
16		Burner support plate	1
17		Intake pipe support plate	1
18		Drip pan guides	2
19		Apron front plate	1

.....; 5 G'7 CI BH9 FHCD'7 < 5 F6 FC=@9 F'
.....; 5 G'GMGH9 A '8 9 H5 =@B("'G<CK BL



; 5 G 7 C I B H 9 F H C D 7 < 5 F 6 F C = @ 9 F

24" GAS SYSTEM DETAIL

Key	Part number	Designation	Q'ty
1	FS-302150095 KIT	#36 Natural orifice, charbroiler	2
	FS-302150096 KIT	#49 LP orifice, charbroiler	2
2	FS-302220059	Manual gas valve A18	2
3	FS-301110405	Knob	2
4	FS-302220028	Pilot Valve AP7 , for Griddle/Broiler	2
5	FS-302130387	"U"shape pipe burner for Charbroiler	2
6	FS-309020068	Regulator	1
7	FS-20229097021	Griddle main intake pipe	1
8	FS-20228055035	Pilot tube	2

36" GAS SYSTEM DETAIL

Key	Part number	Designation	Q'ty
1	FS-302150095 KIT	#36 Natural orifice, charbroiler	3
	FS-302150096 KIT	#49 LP orifice, charbroiler	3
2	FS-302220059	Manual gas valve A18	3
3	FS-301110405	Knob	3
4	FS-302220028	Pilot Valve AP7 , for Griddle/Broiler	3
5	FS-302130387	"U"shape pipe burner for Charbroiler	3
6	FS-309020068	Regulator	1
7	FS-20229097022	Griddle main intake pipe	1
8	FS-20228055035	Pilot tube	3

48" GAS SYSTEM DETAIL

Key	Part number	Designation	Q'ty
1	FS-302150095 KIT	#36 Natural orifice, charbroiler	4
	FS-302150096 KIT	#49 LP orifice, charbroiler	4
2	FS-302220059	Manual gas valve A18	4
3	FS-301110405	Knob	4
4	FS-302220028	Pilot Valve AP7 , for Griddle/Broiler	4
5	FS-302130387	"U"shape pipe burner for Charbroiler	4
6	FS-309020068	Regulator	1
7	FS-20229097023	Griddle main intake pipe	1
8	FS-20228055035	Pilot tube	4