

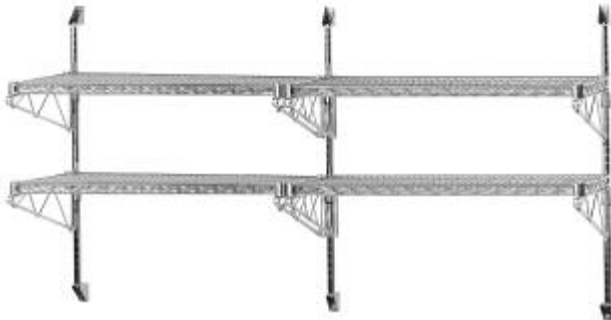


CHROME

WIRE WALL MOUNT BRACKETS & POSTS

Item #: _____ **Qty #:** _____
Model #: _____
Project #: _____

Adjustable 2-Tier Brackets & Posts

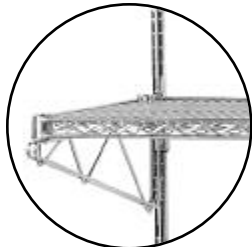


(Shelving not included - see page P-1)

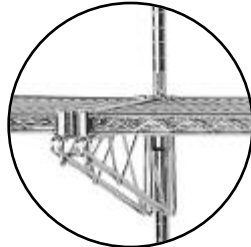
ADJUSTABLE 2-TIER SHELVING POSTS

	MODEL #	Size	Weight
END MOUNT	AB2-14	14"	18 lbs.
	AB2-18	18"	19 lbs.
*MID MOUNT	ABM2-14	14"	18 lbs.
	ABM2-18	18"	19 lbs.

* For Adjoining Shelves



End Bracket



Mid Bracket

End Mount Posts include 2 - 34" posts and 4 single brackets

Mid-Mount Posts include 1 - 34" post and 2 double brackets

Wall Shelf Mounting Brackets



Single Wall Bracket



Double Wall Bracket

BRACKETS

	MODEL #	Size	Weight
SINGLE BRACKET	SB-14	14"	2 lbs.
	SB-18	18"	3 lbs.
*DOUBLE BRACKET	DB-14	14"	3 lbs.
	DB-18	18"	4 lbs.

* For Adjoining Shelves

SB Series includes 2 single brackets
 DB Series includes 1 double bracket

FEATURES:

Brackets feature 1/4" diameter wire for stability and strength.
 NSF approved.

MATERIAL:

Chrome plated steel.

CONSTRUCTION:

End mount and Mid-mount Posts attach to wall with mounting hardware.

Wall Shelf Brackets attach to wall with mounting hardware.
 Unit assembles using tapered split sleeves.



NEW YORK
 (800) 645-3166
 Fax: (631) 242-6900

GEORGIA
 (800) 832-1218
 Fax: (770) 775-5625

TEXAS
 (800) 527-0353
 Fax: (972) 932-4795

NEVADA
 (800) 446-8684
 Fax: (775) 972-1578

For Assistance with
 Smart Modifications & Accessories Call:

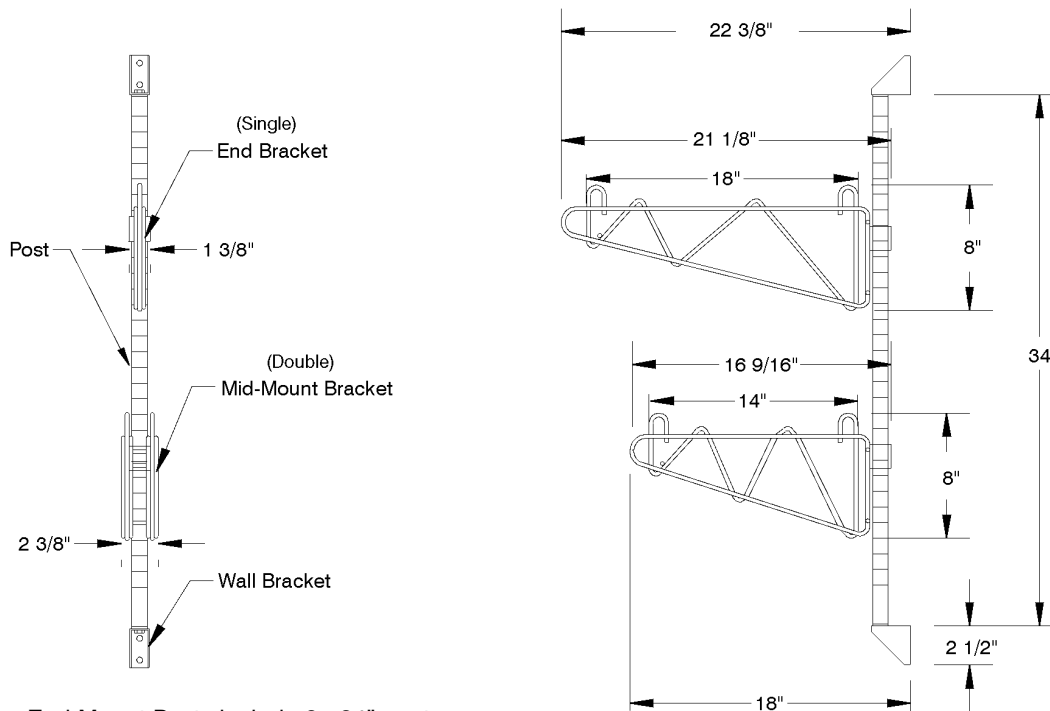
1-800-498-6634 Fax: 631-586-2933
 smartfab@advancetabco.com

DETAILS and SPECIFICATIONS

TOL ± .500"

ALL DIMENSIONS ARE TYPICAL

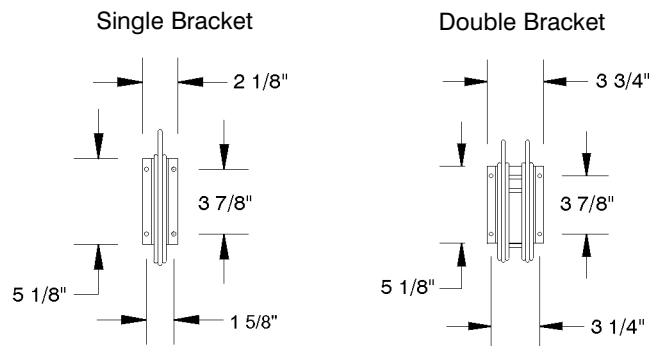
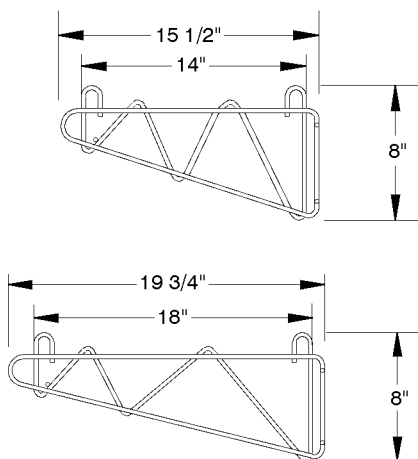
ADJUSTABLE 2-TIER BRACKETS & POSTS



End Mount Posts include 2 - 34" posts and 4 single brackets

Mid-Mount Posts include 1 - 34" post and 2 double brackets

WALL SHELF MOUNTING BRACKETS



SB Series includes 2 single brackets
DB Series includes 1 double bracket

