



STAINLESS STEEL
DISHTABLES
KORNER CLEAN

NEW Tile Edge Design



SPEC-LINE
 DTC-K70-60L Shown

Item #: _____ **Qty #:** _____
Model #: _____
Project #: _____

Spec-Line: 14 ga. 304 Series Stainless Steel Top.
 Stainless Steel Legs with Welded Cross Bracing.
 16 ga. 304 Stainless Steel Legs with
 Stainless Steel Bullet Feet.

UPGRADED!

Standard: 16 ga. 304 Series Stainless Steel Top.
 Stainless Steel KD Style Bolted Cross Bracing.
 Stainless Steel Legs with Stainless Steel Bullet Feet.

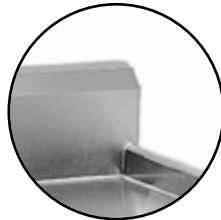
Super Saver: 16 ga. 304 Series Stainless Steel Top.
 Galvanized Legs with Plastic Bullet Feet.

**Optional Stainless Steel
 UNDERSHELF
 Die Cast LEG CLAMP**

secured to shelf eliminates
 unsightly nuts & bolts



**10" EXTRA LARGE
 Bold Looking Backsplash
 with 2" return and tile edge**



FEATURES:

Tile edge for ease of installation.
 Dishtable system consists of SOIL and CLEAN sections.
 Table is furnished with 10" splash with a 2" return.

CONSTRUCTION:

All TIG welded.
 Welded areas blended to match adjacent surfaces and to a satin finish.
 Stainless Steel Gussets welded to a stainless steel support channel.

ACCESSORIES	Model #	Qty
Wall Shelf		
Undershelf		

Nominal Size	"L"	SPEC-LINE			Approx. Wt.
		14 Gauge 304 16 Ga. Stainless Steel Legs	16 Gauge 304 Stainless Steel Legs	16 Gauge 304 Galvanized Legs	
		SPEC-LINE	STANDARD	SUPER SAVER	
4 Ft.	47"	DTC-K30-48L or R	DTC-K70-48L or R	DTC-K60-48L or R	145 lbs.
5 Ft.	59"	DTC-K30-60L or R	DTC-K70-60L or R	DTC-K60-60L or R	165 lbs.
6 Ft.	71"	DTC-K30-72L or R	DTC-K70-72L or R	DTC-K60-72L or R	190 lbs.
7 Ft.	83"	DTC-K30-84L or R	DTC-K70-84L or R	DTC-K60-84L or R	205 lbs.
8 Ft.	95"	DTC-K30-96L or R	DTC-K70-96L or R	DTC-K60-96L or R	215 lbs.
10 Ft.	119"	DTC-K30-120L or R	DTC-K70-120L or R	DTC-K60-120L or R	350 lbs.
12 Ft.	143"	DTC-K30-144L or R	DTC-K70-144L or R	DTC-K60-144L or R	370 lbs.

Nominal sizing on all dishtables for ease of installation.



NEW YORK
 (800) 645-3166
 Fax: (631) 242-6900

GEORGIA
 (800) 832-1218
 Fax: (770) 775-5625

TEXAS
 (800) 527-0353
 Fax: (972) 932-4795

NEVADA
 (800) 446-8684
 Fax: (775) 972-1578

For Assistance with
 Smart Modifications & Accessories Call:



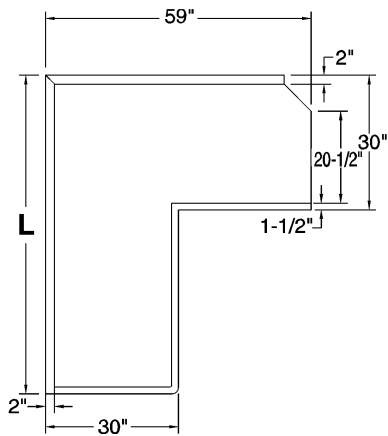
1-800-498-6634 Fax: 631-586-2933
 smartfab@advancetabco.com

DIMENSIONS and SPECIFICATIONS

TOL ± .500"

ALL DIMENSIONS ARE TYPICAL

SEE DISH MACHINE COMPATIBILITY CHART TO ENSURE PROPER FIT
DISH MACHINE COMPATIBILITY CHART CAN BE FOUND IN BACK OF THE SECTION "P" INDEX

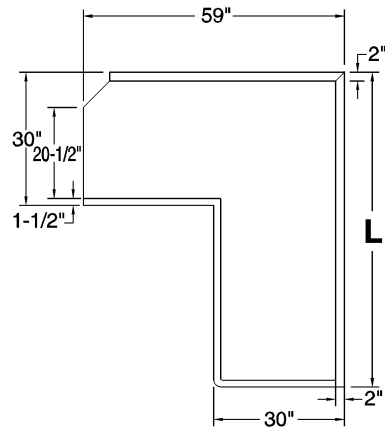


KORNER CLEAN LEFT

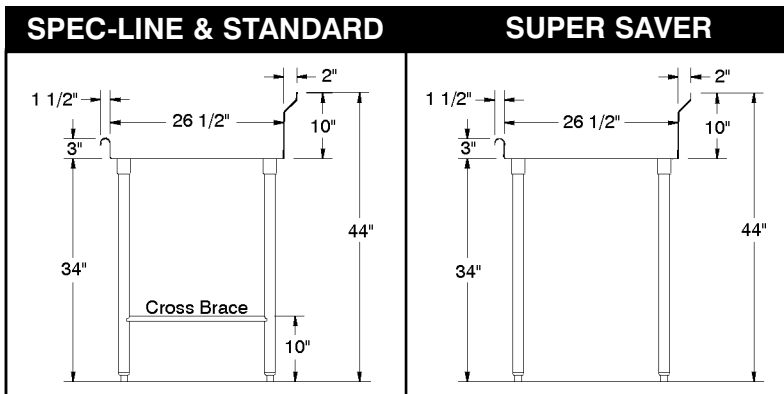
DISH MACHINE



OPERATOR

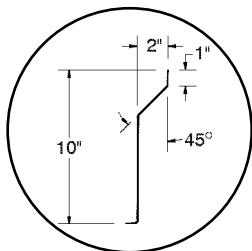


KORNER CLEAN RIGHT



CUSTOMIZE YOUR OWN SYSTEM
by Ordering Optional Accessories from our
PRODUCT & PRICE GUIDE

Splash Detail



Description	SPEC-LINE	STANDARD	SUPER SAVER
Material	14 Ga. 304 Series	16 Ga. 304 Series	16 Ga. 304 Series
1 5/8" Dia. Legs	stainless steel	stainless steel	galvanized
Gussets	stainless steel	stainless steel	stainless steel
Bullet Feet (1" adj.)	stainless steel	stainless steel	plastic
Cross Bracing	welded	bolted	optional

