

STAINLESS STEEL  
**DISHTABLES**  
**ISLAND CLEAN**

**NEW** Tile Edge Design



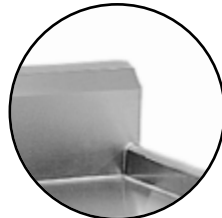
**SPEC-LINE**  
DTC-G70-60R Shown

**Optional Stainless Steel  
UNDERSHELF  
Die Cast LEG CLAMP**

secured to shelf eliminates  
unsightly nuts & bolts



**10" EXTRA LARGE  
Bold Looking Backsplash  
with 2" return and tile edge**



**Item #:** \_\_\_\_\_ **Qty #:** \_\_\_\_\_  
**Model #:** \_\_\_\_\_  
**Project #:** \_\_\_\_\_

- Spec-Line:** 14 ga. 304 Series Stainless Steel Top.  
Stainless Steel Legs with Welded Cross Bracing.  
16 ga. 304 Stainless Steel Legs with  
Stainless Steel Bullet Feet.
- UPGRADED!**  
**Standard:** 16 ga. 304 Series Stainless Steel Top.  
Stainless Steel KD Style Bolted Cross Bracing.  
Stainless Steel Legs with Stainless Steel Bullet Feet.
- Super Saver:** 16 ga. 304 Series Stainless Steel Top.  
Galvanized Legs with Plastic Bullet Feet.

**FEATURES:**

Tile edge for ease of installation.  
Dishtable system consists of SOIL and CLEAN sections.  
Table is furnished with 10" splash with a 2" return.

**CONSTRUCTION:**

All TIG welded.  
Welded areas blended to match adjacent surfaces and to a  
satin finish.  
Stainless Steel Gussets welded to a stainless steel  
support channel.

ACCESSORIES	Model #	Qty
Undershelf		
Wall Shelf		

Nominal Size	"L"	14 Gauge 304 16 Ga. Stainless Steel Legs			16 Gauge 304 Stainless Steel Legs			16 Gauge 304 Galvanized Legs			Approx. Wt.
		SPEC-LINE	STANDARD	SUPER SAVER	SPEC-LINE	STANDARD	SUPER SAVER	SPEC-LINE	STANDARD	SUPER SAVER	
4 Ft.	47"	DTC-G30-48L or R	DTC-G70-48L or R	DTC-G60-48L or R	DTC-G30-48L or R	DTC-G70-48L or R	DTC-G60-48L or R	DTC-G30-48L or R	DTC-G70-48L or R	DTC-G60-48L or R	145 lbs.
5 Ft.	59"	DTC-G30-60L or R	DTC-G70-60L or R	DTC-G60-60L or R	DTC-G30-60L or R	DTC-G70-60L or R	DTC-G60-60L or R	DTC-G30-60L or R	DTC-G70-60L or R	DTC-G60-60L or R	165 lbs.
6 Ft.	71"	DTC-G30-72L or R	DTC-G70-72L or R	DTC-G60-72L or R	DTC-G30-72L or R	DTC-G70-72L or R	DTC-G60-72L or R	DTC-G30-72L or R	DTC-G70-72L or R	DTC-G60-72L or R	190 lbs.
7 Ft.	83"	DTC-G30-84L or R	DTC-G70-84L or R	DTC-G60-84L or R	DTC-G30-84L or R	DTC-G70-84L or R	DTC-G60-84L or R	DTC-G30-84L or R	DTC-G70-84L or R	DTC-G60-84L or R	205 lbs.
8 Ft.	95"	DTC-G30-96L or R	DTC-G70-96L or R	DTC-G60-96L or R	DTC-G30-96L or R	DTC-G70-96L or R	DTC-G60-96L or R	DTC-G30-96L or R	DTC-G70-96L or R	DTC-G60-96L or R	215 lbs.
10 Ft.	119"	DTC-G30-120L or R	DTC-G70-120L or R	DTC-G60-120L or R	DTC-G30-120L or R	DTC-G70-120L or R	DTC-G60-120L or R	DTC-G30-120L or R	DTC-G70-120L or R	DTC-G60-120L or R	340 lbs.
12 Ft.	143"	DTC-G30-144L or R	DTC-G70-144L or R	DTC-G60-144L or R	DTC-G30-144L or R	DTC-G70-144L or R	DTC-G60-144L or R	DTC-G30-144L or R	DTC-G70-144L or R	DTC-G60-144L or R	360 lbs.

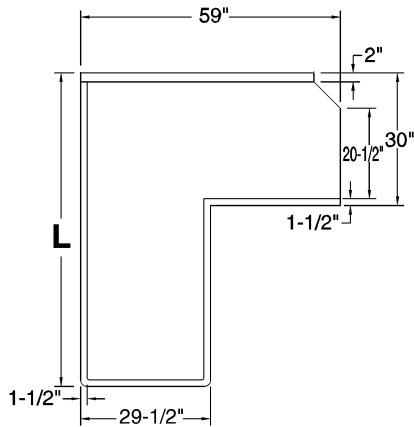
Nominal sizing on all  
dishtables for ease of  
installation.

# DIMENSIONS and SPECIFICATIONS

TOL ± .500"

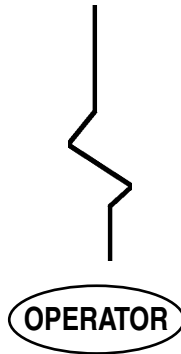
ALL DIMENSIONS ARE TYPICAL

**SEE DISH MACHINE COMPATIBILITY CHART TO ENSURE PROPER FIT**  
**DISH MACHINE COMPATIBILITY CHART CAN BE FOUND IN BACK OF THE SECTION "P" INDEX**

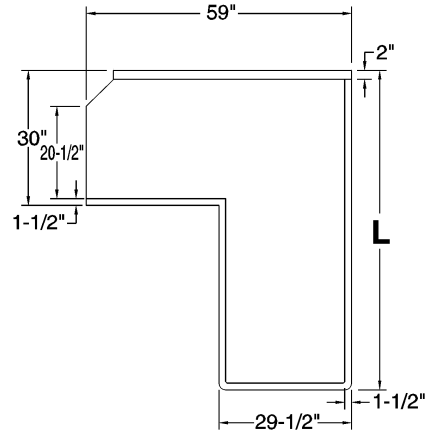


**ISLAND CLEAN LEFT**

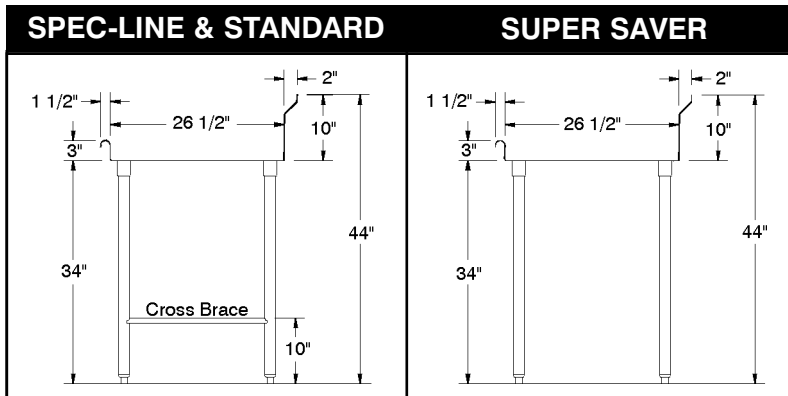
**DISH  
MACHINE**



**OPERATOR**

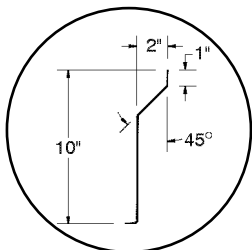


**ISLAND CLEAN RIGHT**



*CUSTOMIZE YOUR OWN SYSTEM  
 by Ordering Optional Accessories from our  
 PRODUCT & PRICE GUIDE*

Splash Detail



Description	SPEC-LINE	STANDARD	SUPER SAVER
<b>Material</b>	14 Ga. 304 Series	16 Ga. 304 Series	16 Ga. 304 Series
<b>1 5/8" Dia. Legs</b>	stainless steel	stainless steel	galvanized
<b>Gussets</b>	stainless steel	stainless steel	stainless steel
<b>Bullet Feet (1" adj.)</b>	stainless steel	stainless steel	plastic
<b>Cross Bracing</b>	welded	bolted	optional

