



STAINLESS STEEL

FLOOR TROUGHS & FLOOR DRAINS

Floor Trough

4" Depth



Item #: _____ Qty #: _____

Model #: _____

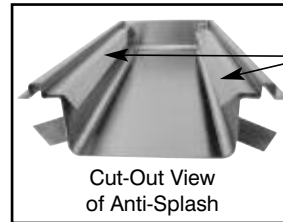
Project #: _____

Floor Drain

4" Depth



Includes Stainless Steel Strainer Basket with Handle

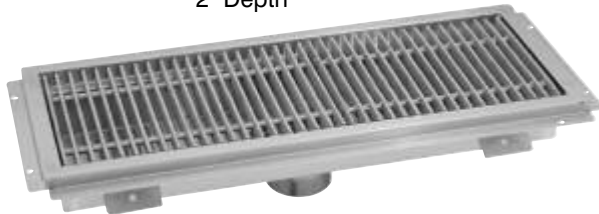


FT-1
Optional Anti-Splash Guard
(Per ft. Factory installed)

Cut-Out View of Anti-Splash

Floor Water Receptacle

2" Depth



OPTIONAL ACCESSORIES

Model #	Qty
FT-1 Anti-Splash Guard per ft.	
FD-1 Floor Drain Stainless Steel Grate	

FEATURES:

Waste receptacle will accommodate up to a 4" waste pipe.
Includes 4" O.D. - 3" Long Plumbing Sleeve.
Removable perforated stainless steel strainer basket with handle provided.
Pitched towards waste.
"Subway Style" grating from 3/16" x 1" solid "304" stainless steel bar or fiberglass.
Grating is spaced 9/16" (Inside clearance) between bars to prevent casters from getting trapped
Custom sizes available. Consult factory.

CONSTRUCTION:

All TIG welded.
All external corners welded and polished to a satin finish.

MECHANICAL:

Creased design to ensure proper drainage.
Perimeter flange mounts directly to sub floor.
3/4" vertical step designed to accommodate floor tile installation.

MATERIAL:

14 gauge "304" type stainless steel polished stainless steel grating.
Fiberglass grating: Gray fiberglass composite. Light weight, skid and corrosion resistant.



NEW YORK
(800) 645-3166
Fax: (631) 242-6900

GEORGIA
(800) 832-1218
Fax: (770) 775-5625

TEXAS
(800) 527-0353
Fax: (972) 932-4795

NEVADA
(800) 446-8684
Fax: (775) 972-1578

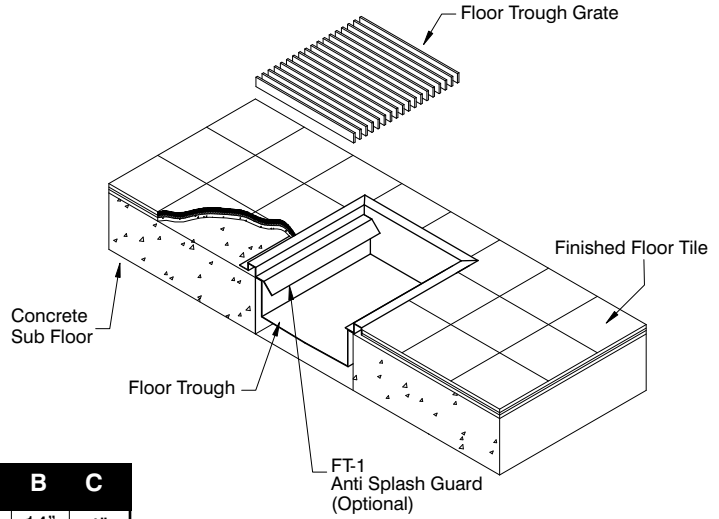
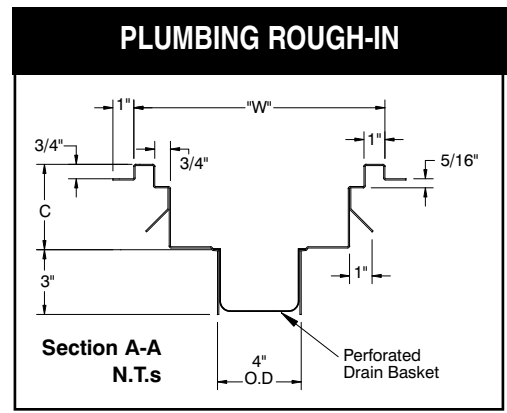
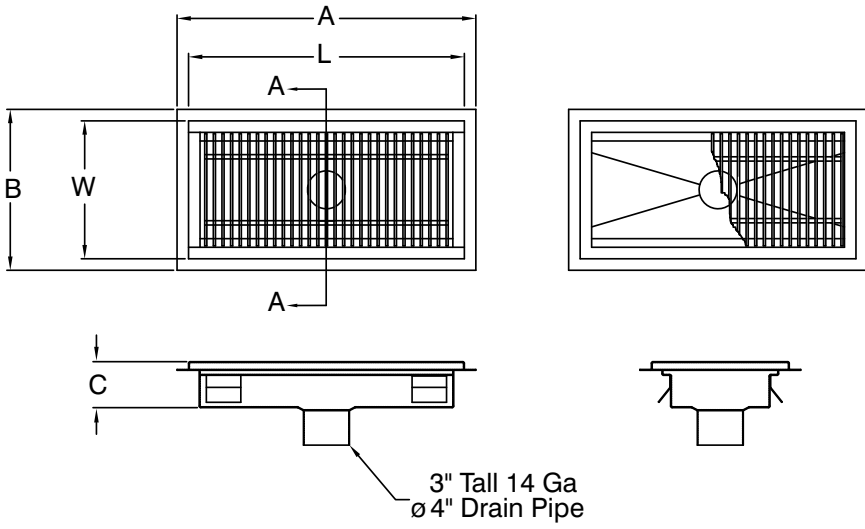
For Assistance with
Smart Modifications & Accessories Call: >>>

1-800-498-6634 Fax: 631-586-2933
smartfab@advancetabco.com

DIMENSIONS and SPECIFICATIONS

ALL DIMENSIONS ARE TYPICAL

TOL ± .500"



FLOOR TROUGHS

Stainless Steel Grating	Wt.	Fiberglass Grating	Wt.	Length	Width	A	B	C
FTG-1224	46 lbs.	FFTG-1224	41 lbs.	24"	12"	26"	14"	4"
FTG-1230	56 lbs.	FFTG-1230	52 lbs.	30"	12"	32"	14"	4"
FTG-1236	72 lbs.	FFTG-1236	67 lbs.	36"	12"	38"	14"	4"
FTG-1242	76 lbs.	FFTG-1242	72 lbs.	42"	12"	44"	14"	4"
FTG-1248	86 lbs.	FFTG-1248	81 lbs.	48"	12"	50"	14"	4"
FTG-1254	96 lbs.	FFTG-1254	92 lbs.	54"	12"	56"	14"	4"
FTG-1260	106 lbs.	FFTG-1260	100 lbs.	60"	12"	62"	14"	4"
FTG-1272	125 lbs.	FFTG-1272	120 lbs.	72"	12"	74"	14"	4"
FTG-1284	147 lbs.	FFTG-1284	142 lbs.	84"	12"	86"	14"	4"
FTG-1296	168 lbs.	FFTG-1296	163 lbs.	96"	12"	98"	14"	4"
FTG-12108	189 lbs.	FFTG-12108	184 lbs.	108"	12"	110"	14"	4"
FTG-12120	250 lbs.	FFTG-12120	244 lbs.	120"	12"	122"	14"	4"
FTG-1824	58 lbs.	FFTG-1824	53 lbs.	24"	18"	26"	20"	4"
FTG-1830	74 lbs.	FFTG-1830	69 lbs.	30"	18"	32"	20"	4"
FTG-1836	86 lbs.	FFTG-1836	81 lbs.	36"	18"	38"	20"	4"
FTG-1842	98 lbs.	FFTG-1842	92 lbs.	42"	18"	44"	20"	4"
FTG-1848	119 lbs.	FFTG-1848	113 lbs.	48"	18"	50"	20"	4"
FTG-1854	130 lbs.	FFTG-1854	124 lbs.	54"	18"	56"	20"	4"
FTG-1860	145 lbs.	FFTG-1860	139 lbs.	60"	18"	62"	20"	4"
FTG-1872	174 lbs.	FFTG-1872	168 lbs.	72"	18"	74"	20"	4"
FTG-1884	200 lbs.	FFTG-1884	194 lbs.	84"	18"	86"	20"	4"
FTG-1896	232 lbs.	FFTG-1896	227 lbs.	96"	18"	98"	20"	4"
FTG-18108	261 lbs.	FFTG-18108	254 lbs.	108"	18"	110"	20"	4"
FTG-18120	348 lbs.	FFTG-18120	342 lbs.	120"	18"	122"	20"	4"

FLOOR DRAINS

Model #	Length	Width	A	B	C	Wt.
FDR-1212	12"	12"	14"	14"	4"	26 lbs.

FLOOR WATER RECEPTACLES

Model #	Length	Width	A	B	C	Wt.
FRG-24	24"	12"	26"	14"	2"	40 lbs.
FRG-36	36"	12"	38"	14"	2"	60 lbs.
FRG-48	48"	12"	50"	14"	2"	80 lbs.

CUSTOM SIZES AVAILABLE!

