

# BUNN®

## Easy Clear® Drop-In (ED) 10" or 20" Systems

ITEM# \_\_\_\_\_

PROJECT \_\_\_\_\_

DATE \_\_\_\_\_



**Model ED-11-TL or ED-12-TL**  
Water Quality Systems

### Features

#### Drop-In 10" (ED-11) & 20" (ED-12) Water Quality Systems

- Provides 4,500 gallons @ .75 gpm (10") or 9,000 gallons @ 1.5 gpm (20") for superior sediment, taste/odor and chlorine reduction.
- Perfect for beverage systems with a medium sized brewer (up to 50 lbs. of coffee/week).
- Effective 10 micron graded density filtration.
- Provides six months of scale reduction and protects equipment from corrosion.
- Has easy water shut-off valve built into manifold, plus the clear housing makes it easy to see cartridges.
- Designed for minimum purge after cartridge charge.
- Single purpose cartridges also available for treatment of problems with taste and odor (T), lime scale (L), hardness (H) and sediment filtration (S).
- System Tested and Certified by NSF International against ANSI/NSF Standard 42 for the reduction of sediment, taste/odor, and chlorine.

For current specification sheets and other information, go to [www.bunn.com](http://www.bunn.com).

### Related Products

**Warranty:** BUNN warrants the Easy Clear® hardware (excluding cartridges) to be free from defects in materials and workmanship for 1 year from the date of installation. See service manual for complete warranty statement.

Alignment Post  
Product No. : 29559.0000



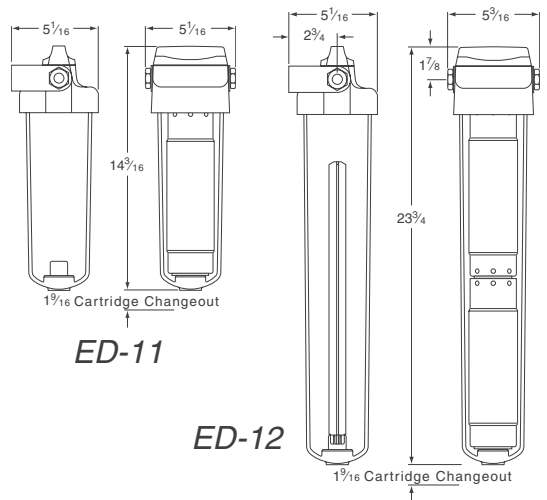
Gauge Kit for Drop-In systems  
Product No. : 30236.1001



ED-CON-2 Connector  
Product No. : 30232.1000



Wrench for Drop-In systems  
Product No. : 30061.0000



Model	Agency Listing	International Model	Agency Listing
ED-11-TL	NSF	No International Model	
ED-12-TL	NSF		

Patents Apply

5/04

F3

## Dimensions & Specifications

Model	Product #	Flow Rate & Capacity	Replaces	Chlorine	Taste	Scale	Sediment
<b>Multipurpose Systems</b>							
ED-11-TL	30244.1001	.75 gpm/4,500 gals.	110-CP	•	•	•	•
ED-12-TL	30245.1001	1.5 gpm/9,000 gals.	120-CP	•	•	•	•
10" Cartridges							
ED-TL-1	(1) 30231.1001	.75 gpm/4,500 gals.	CP-10	•	•	•	•
Case	(36) 30231.0001						
ED-T-1	(1) 30231.1002	.75 gpm/4,500 gals.	C-10	•	•		•
Case	(36) 30231.0002						
ED-L-1	(1) 30231.1003	3.0 gpm/NA	P12-10			•	•
Case	(12) 30231.0003						
ED-H-1	(1) 30231.1004	.5 gpm/800 grains <sup>†</sup>	WS-10			•	•
Case	(12) 30231.0004						
ED-S-1	(1) 30231.1005	6.0 gpm/NA	S5-10			•	•
Case	(36) 30231.0005						
<b>20" Cartridges</b>							
20" CARTRIDGES INCLUDE TWO ED-TL-1 CARTRIDGES CONNECTED WITH ONE ED-CON-2 CONNECTOR							
ED-TL-2 (1)	30232.1001	1.5 gpm/9,000 gals.	CP-20	•	•	•	•
Case— Connect 2 ED-TL-1	(36) 30231.0001						
with 1-ED-CON-2	(6) 30232.0000						
ED-T-2 (1)	30232.1002	1.5 gpm/9,000 gals.	C-20	•	•		•
Case— Connect 2 ED-T-1	(36) 30231.0002						
with 1-ED-CON-2	(6) 30232.0000						
ED-H-2 (1)	30232.1004	.5 gpm/1,600 grains <sup>†</sup>	WS-20			•	•
Case— Connect 2 ED-H-1	(12) 30231.0004						
with 1-ED-CON-2	(6) 30232.0000						
ED-S-2	(1) 30232.1005	12.0 gpm/NA	n/a				•
S5-20* Case—	(15) 30032.0002	12.0 gpm/NA	S5-20*				•
<b>Manifolds &amp; Housing(s)</b>							
ED-11	(1) 30221.1000	NA	110				
ED-12	(1) 30222.1000	NA	120				
ED-21	(1) 30269.1000	NA	210				
ED-22	(1) 30225.1000	NA	222				

<sup>†</sup> To figure gallon capacity for an ED-H-1 & 2 use the following formula:  
 Grain capacity of cartridge ÷ water hardness (in grains) = gallons treated.

\* Does not fit in new ED-\_-2 manifolds

Note: ED models include inlet and outlet valves with  $\frac{3}{8}$ " female pipe threading.

### Applications For ED Systems

TL	Sediment, Taste/Odor & Lime Scale
T	Taste & Odor (Carbon)
L	Lime Scale (Scale Inhibitor)
H	Hardness Treatment (Water Softener)
S	Sediment Filtration

BUNN Corporation - 1400 Stevenson Drive Springfield, Illinois 62703 • 800-637-8606 • 217-529-6601 • Fax 217-529-6644 • www.bunn.com

BUNN® practices continuous product research and improvement. We reserve the right to change specifications and product design without notice. Such revisions do not entitle the buyer to corresponding changes, improvements, additions or replacements for previously purchased equipment.

All dimensions shown in inches. Bunn Corporation owns all copyrights relating to materials in this publication. Please contact Bunn Corporation to request permission to reproduce any portion of this publication.