

BUNN®

Easy Clear® Low Volume Multipurpose Water Quality Systems

ITEM#

PROJECT

DATE



Model EQ-17-TL or ED-17-TL
Water Quality System

Features

Quick Connect (EQ-17-TL) or In-Line (ED-17-TL) Water Quality Systems

- Designed for one or two ½ gallon coffee brewers. They also work well with BUNN HW2 hot water machine.
- Provides 1,500 gallons of superior sediment, taste/odor and chlorine reduction @ .5 gpm.
- 5 micron graded density filtration for long life.
- Perfectly sized to ensure quality coffee and long-term performance of 1 to 5 pot brewers (up to 15 lbs. of coffee/week)
- Special scale inhibitor provides six months of scale reduction and guards against corrosion.

Quick Connect

- Quick change filter head allows cartridge replacements in only a few seconds, and in any position.

Drop-In

- The ED-17-TL replaces the 750 In-Line filter previously offered by BUNN.

For current specification sheets and other information, go to www.bunn.com.

Related Products

Warranty: BUNN warrants the Easy Clear® hardware (excluding cartridges) to be free from defects in materials and workmanship for 1 year from the date of installation. See service manual for complete warranty statement.



System Tested and Certified by NSF International against ANSI/NSF Standard 42 for the reduction of sediment, taste/odor, and chlorine.

Model	Agency Listing	International Model	Agency Listing
EQ-17-TL		No International Model	
ED-17-TL			

Patents Apply

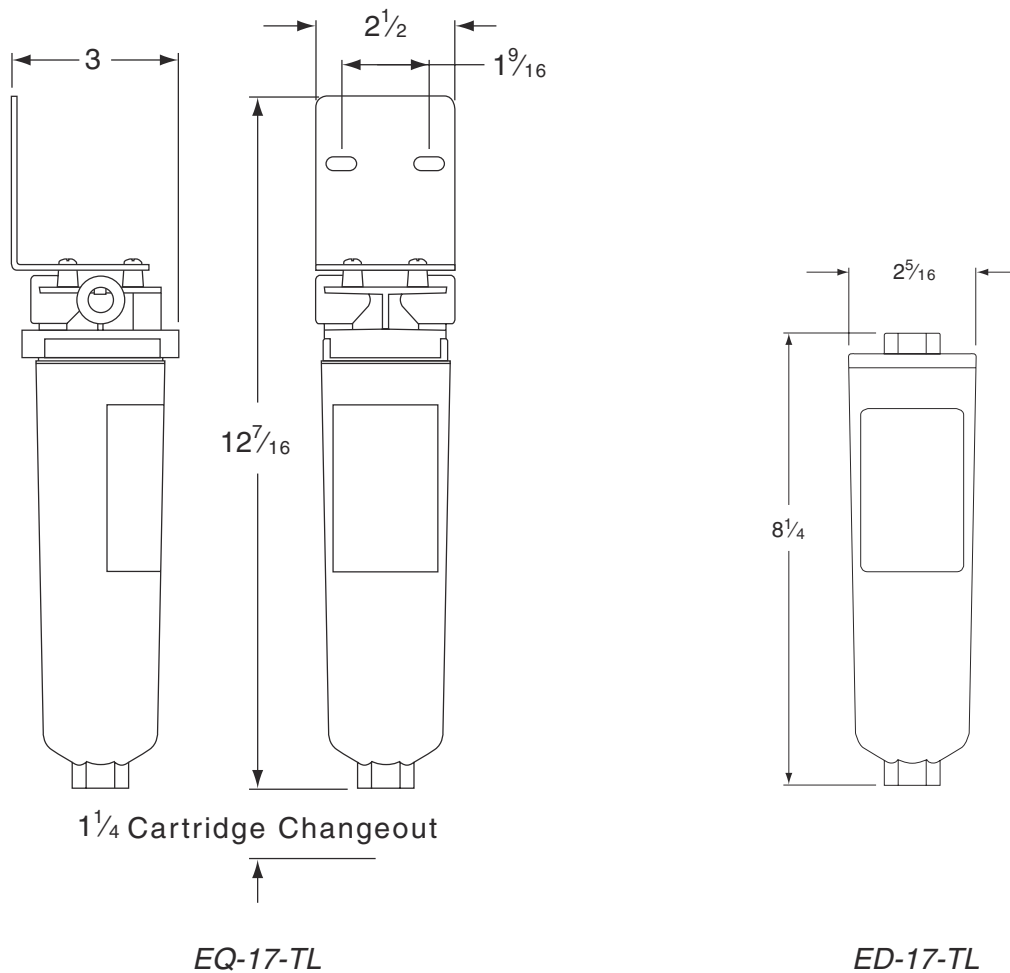
5/04

F1

Dimensions & Specifications

Model	Product #	Flow Rate & Capacity	Replaces	Chlorine	Taste	Scale	Sediment
Systems							
EQ-17-TL	(1) 30200.1000	0.5 gpm/1,500 gals.	n/a	•	•	•	•
ED-17-TL	(1) 30201.1001	0.5 gpm/1,500 gals.	750 In-Line	•	•	•	•
Case	(12) 30201.0001						
Cartridge Only							
EQ-TL-7	(1) 30200.1001	0.5 gpm/1,500 gals.	n/a	•	•	•	•
Case	(48) 30200.0001						

Note: EQ model includes inlet and outlet valves with $\frac{3}{8}$ " female pipe threading plus mounting bracket.



BUNN Corporation - 1400 Stevenson Drive Springfield, Illinois 62703 • 800-637-8606 • 217-529-6601 • Fax 217-529-6644 • www.bunn.com

BUNN® practices continuous product research and improvement. We reserve the right to change specifications and product design without notice. Such revisions do not entitle the buyer to corresponding changes, improvements, additions or replacements for previously purchased equipment.

All dimensions shown in inches. Bunn Corporation owns all copyrights relating to materials in this publication. Please contact Bunn Corporation to request permission to reproduce any portion of this publication.