



STAINLESS STEEL EQUIPMENT STANDS



Featuring as Standard:
"THE PROVEN"
ORIGINAL ADVANCE TABCO
**Adjustable Undershelf
with Die Cast Leg Clamp**



Item #: _____ **Qty #:** _____
Model #: _____
Project #: _____

FEATURES: (as it applies)

TOP is furnished with 1 1/4" hemmed edge splash on rear and both sides. Front edge is a die formed No-Drip V-Edge.
 Aluminum die cast "leg to shelf" clamp secures shelf to leg eliminating unsightly nuts and bolts.
 Undershelf is adjustable.

CONSTRUCTION:

All TIG welded. Exposed weld areas finished to match adjacent surfaces.
 Entire Top is mechanically polished to a satin finish and is sound deadened.
 Roll formed embossed galvanized hat channels are secured to top by means of structural adhesive and weld studs.
 Gussets welded to support hat sections.

MATERIAL:

ES-Series Stainless Steel Base

TOP is 14 gauge stainless steel type "304" series with galvanized understructure.
 SHELF is 18 gauge stainless steel.
 LEGS are 1 5/8" diameter heavy gauge tubular stainless steel with stainless steel gussets and 1" adjustable stainless steel bullet feet.

EG-Series Galvanized Base

TOP is 14 gauge stainless steel type "304 series with galvanized understructure.
 SHELF is 18 gauge galvanized steel.
 LEGS are 1 5/8" diameter tubular galvanized steel with galvanized steel gussets and 1" adjustable plastic bullet feet.

OPTIONAL:

Laminated Hardwood Cutting Board is secured to stainless steel channels. Channels are welded to a stainless steel one-piece L-shaped tubular support which in turn is welded to a stainless steel sliding collar for height adjustments.

18 Gauge stainless steel Plate Shelf secured to stainless steel gusset and attached to stainless steel sliding collar for height adjustment.

Length	STAINLESS STEEL		GALVANIZED		Wt.
	24" Wide	30" Wide	24" Wide	30" Wide	
24"	ES-242	ES-302	EG-242	EG-302	43 lbs.
36"	ES-243	ES-303	EG-243	EG-303	56 lbs.
48"	ES-244	ES-304	EG-244	EG-304	74 lbs.
60"	ES-245	ES-305	EG-245	EG-305	84 lbs.
72"	ES-246	ES-306	EG-246	EG-306	102 lbs.
84"	ES-247	ES-307	EG-247	EG-307	120 lbs.
96"	ES-248	ES-308	EG-248	EG-308	135 lbs.

OPTIONAL ACCESSORIES

Wood Cutting Board

Plate Shelf

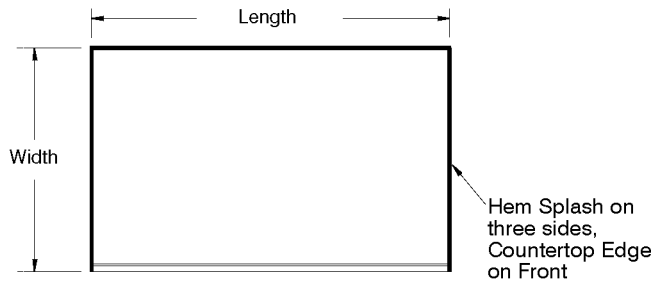
Length	Model #	Wt.	Model #	Wt.
24"	TA-922	28 lbs.	TA-962	22 lbs.
36"	TA-923	30 lbs.	TA-963	24 lbs.
48"	TA-924	34 lbs.	TA-964	27 lbs.
60"	TA-925	37 lbs.	TA-965	31 lbs.
72"	TA-926	40 lbs.	TA-966	40 lbs.
84"	TA-927	56 lbs.	TA-967	50 lbs.
96"	TA-928	64 lbs.	TA-968	57 lbs.

<p>www.advancetabco.com</p>	<p>NEW YORK (800) 645-3166 Fax: (631) 242-6900</p>	<p>GEORGIA (800) 832-1218 Fax: (770) 775-5625</p>	<p>TEXAS (800) 527-0353 Fax: (972) 932-4795</p>	<p>NEVADA (800) 446-8684 Fax: (775) 972-1578</p>
	<p>For Assistance with Smart Modifications & Accessories Call: 1-800-498-6634 Fax: 631-586-2933 smartfab@advancetabco.com</p>			

DETAILS and SPECIFICATIONS

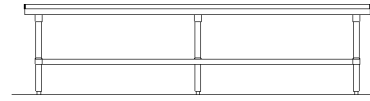
TOL ± .500"

ALL DIMENSIONS ARE TYPICAL

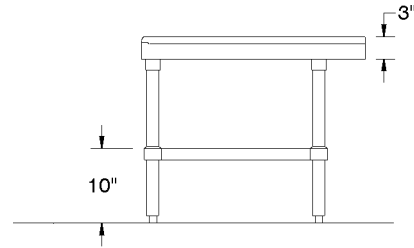
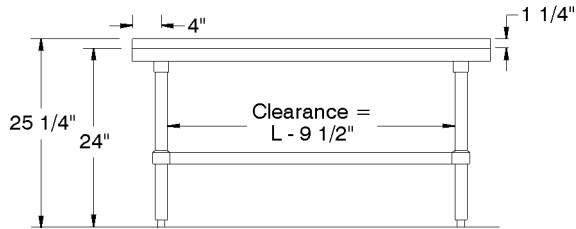


Maximum Total Load = 1000 lbs.

7 ft. units and larger are furnished with six (6) legs.

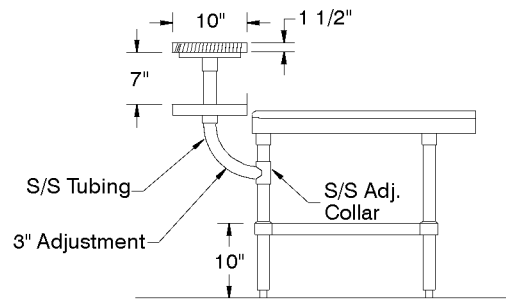
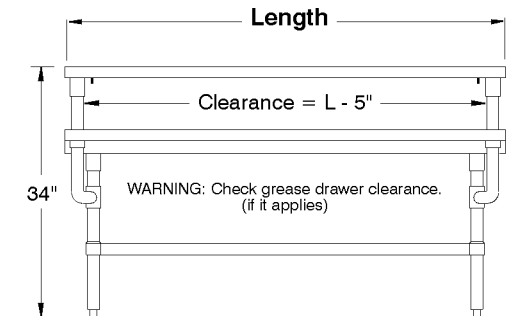


24" Working Height



with Plate Shelf & Cutting Board

Maximum Load Weight for Plate Shelf is 25 lbs.



Mobile Unit

Optional X.H.D. Casters
 TA-255 Set of 4
 TA-256 Set of 6
 Each Set supplied with 2 brakes.

