



STAINLESS STEEL SLIDING DOOR STYLE ENCLOSED BASE WORK TABLES



Flat Top



1 1/2" Backsplash



5" Backsplash

Item #: _____ Qty #: _____
 Model #: _____
 Project #: _____

24" WIDE

Length	FLAT TOP	1 1/2" SPLASH	5" SPLASH	Wt.
48"	CB-SS-244	CF-SS-244	CK-SS-244	185 lbs.
60"	CB-SS-245	CF-SS-245	CK-SS-245	230 lbs.
72"	CB-SS-246	CF-SS-246	CK-SS-246	280 lbs.
84"	CB-SS-247	CF-SS-247	CK-SS-247	325 lbs.
96"	CB-SS-248	CF-SS-248	CK-SS-248	370 lbs.
108"	CB-SS-249	CF-SS-249	CK-SS-249	425 lbs.
120"	CB-SS-2410	CF-SS-2410	CK-SS-2410	460 lbs.
144"	CB-SS-2412	CF-SS-2412	CK-SS-2412	490 lbs.

30" WIDE

Length	FLAT TOP	1 1/2" SPLASH	5" SPLASH	Wt.
48"	CB-SS-304	CF-SS-304	CK-SS-304	220 lbs.
60"	CB-SS-305	CF-SS-305	CK-SS-305	270 lbs.
72"	CB-SS-306	CF-SS-306	CK-SS-306	330 lbs.
84"	CB-SS-307	CF-SS-307	CK-SS-307	380 lbs.
96"	CB-SS-308	CF-SS-308	CK-SS-308	435 lbs.
108"	CB-SS-309	CF-SS-309	CK-SS-309	485 lbs.
120"	CB-SS-3010	CF-SS-3010	CK-SS-3010	535 lbs.
144"	CB-SS-3012	CF-SS-3012	CK-SS-3012	585 lbs.

36" WIDE

Length	FLAT TOP	1 1/2" SPLASH	5" SPLASH	Wt.
48"	CB-SS-364	CF-SS-364	CK-SS-364	240 lbs.
60"	CB-SS-365	CF-SS-365	CK-SS-365	290 lbs.
72"	CB-SS-366	CF-SS-366	CK-SS-366	340 lbs.
84"	CB-SS-367	CF-SS-367	CK-SS-367	400 lbs.
96"	CB-SS-368	CF-SS-368	CK-SS-368	455 lbs.
108"	CB-SS-369	CF-SS-369	CK-SS-369	510 lbs.
120"	CB-SS-3610	CF-SS-3610	CK-SS-3610	565 lbs.
144"	CB-SS-3612	CF-SS-3612	CK-SS-3612	625 lbs.

FEATURES:

FLAT TOP is furnished with a 1 5/8" sanitary rolled rim on the front and 1 5/8" square bend edges on the 2 sides and rear.

1 1/2" SPLASH is furnished with a 1 5/8" sanitary rolled rim on the front side and 1 5/8" square bend edges on the 2 sides and a 1 1/2" splash of single metal thickness on the rear side.

5" SPLASH is furnished with a 1 5/8" sanitary rolled rim on the front side and 1 5/8" square bend edges on the 2 sides and a 5" splash with a 1" return on the rear side.

SLIDING DOORS have recessed handles for ease in opening and closing.

CONSTRUCTION:

All TIG welded. Exposed areas finished to match adjacent surfaces.

Entire Top is mechanically polished to a satin finish and is sound deadened.

Hat section secured to Top reinforces and maintains level working surface.

UNIT-BODY DESIGN sides, back and shelf are welded to form a single rigid structure.

Gussets welded to support hat sections.

MATERIAL:

TOP is 14 gauge stainless steel type "304" series with galvanized understructure.

BODY is 18 gauge stainless steel type "430" series.

LEGS are 1 5/8" diameter tubular stainless steel with stainless steel gussets and 1" adjustable stainless steel bullet feet.

Mid Shelves Are Available.

To Add a Mid Shelf, Add "M" After each Model Number.



NEW YORK
 (800) 645-3166
 Fax: (631) 242-6900

GEORGIA
 (800) 832-1218
 Fax: (770) 775-5625

TEXAS
 (800) 527-0353
 Fax: (972) 932-4795

NEVADA
 (800) 446-8684
 Fax: (775) 972-1578

For Assistance with
 Smart Modifications & Accessories Call: >>>

1-800-498-6634 Fax: 631-586-2933
 smartfab@advancetabco.com

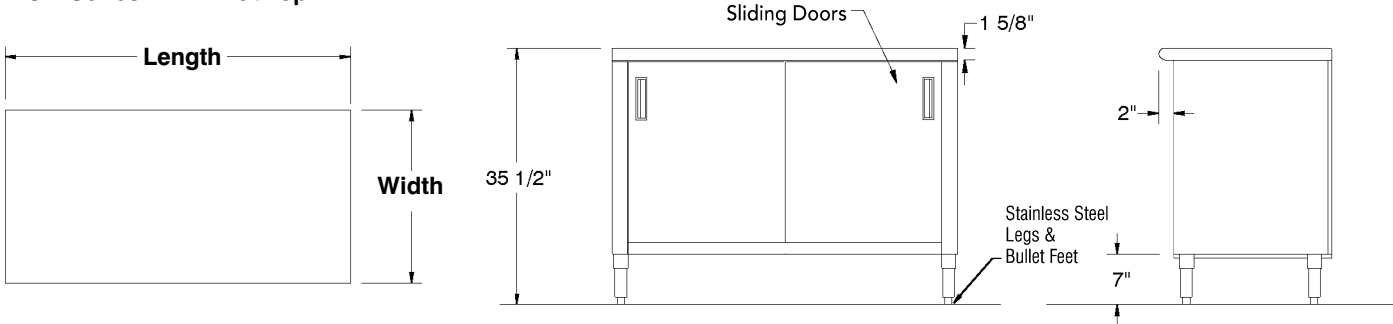
DETAILS and SPECIFICATIONS

TOL ± .500"

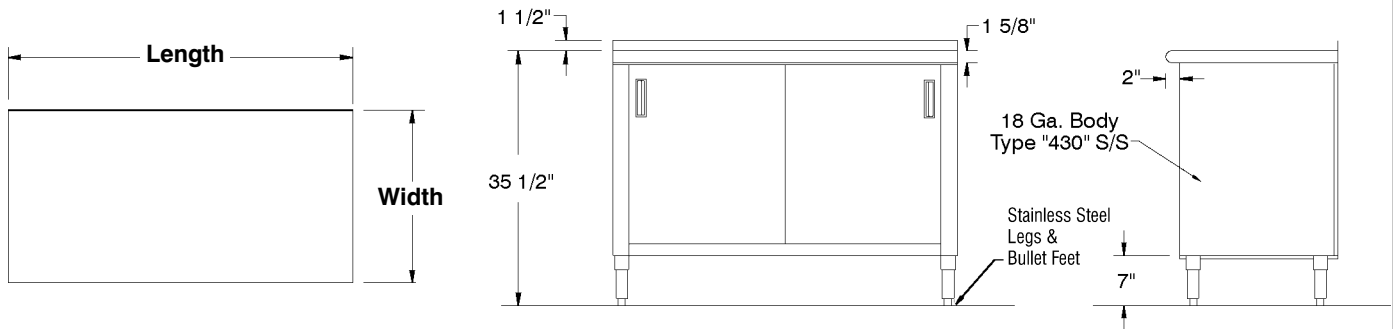
Units 7' and larger are furnished with 6 legs.

ALL DIMENSIONS ARE TYPICAL

CB-Series Flat Top



CF-Series 1 1/2" Rear Splash



CK-Series 5" Rear Splash

